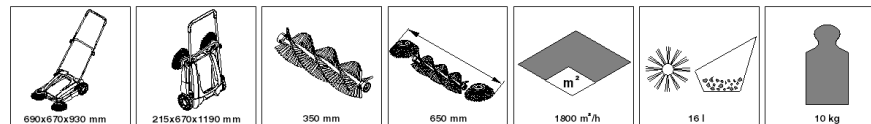
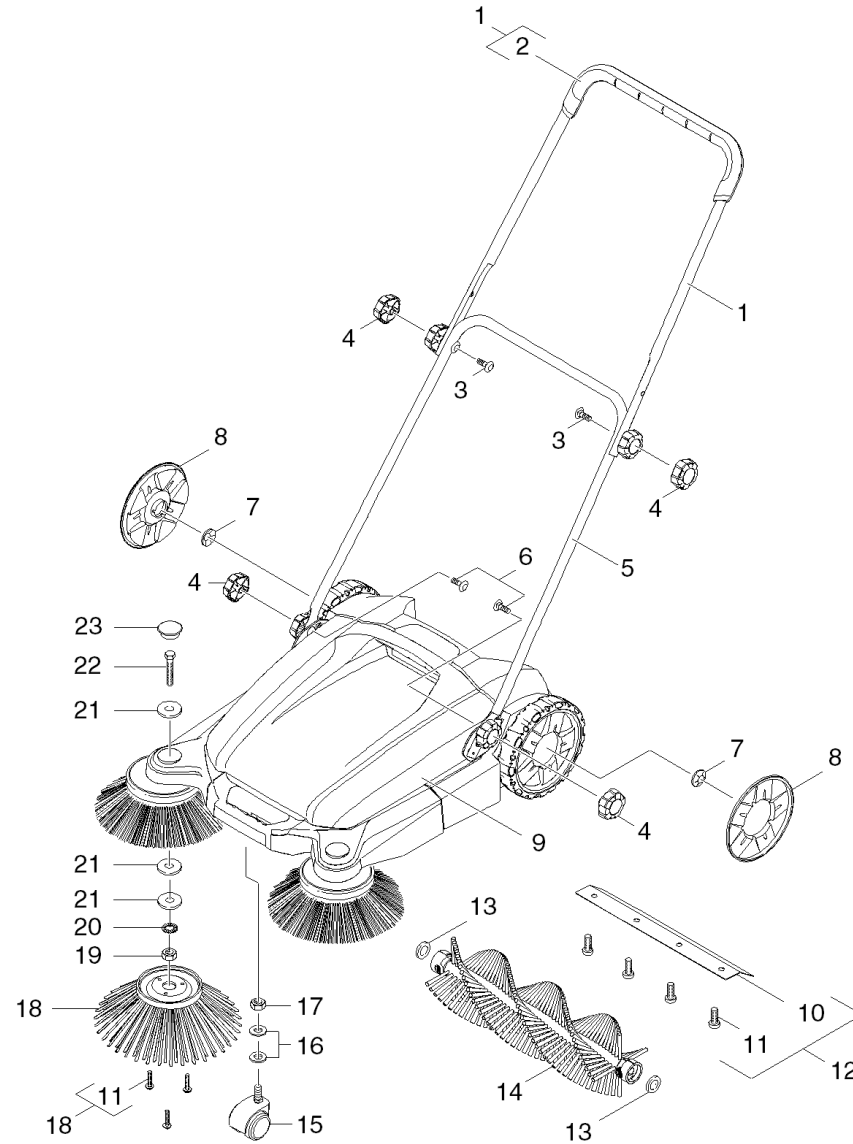


Short spare parts list (1.766-300.3)

Home and Garden \ Sweepers \ Manually operated \ S 650 \ Short spare parts list



Short spare parts list (1.766-300.3)

Home and Garden \ Sweepers \ Manually operated \ S 650 \ Short spare parts list



POS	Article no.	Description	Quantity	Unit
1	4.034-145.0	Shearing shackle long complete S 650	1.000	ST
2	5.321-846.0	Handhold few S 650	1.000	ST
3	7.303-008.0	Saucer-head screw M 8x35-ST-A0P DIN 603	2.000	ST
4	5.321-800.0	Handle	4.000	ST
5	4.034-143.0	Shearing shackle short	1.000	ST
6	6.303-498.0	Saucer-head screw M8x25	1.000	ST
7	6.343-180.0	Quick-fastener	2.000	ST
8	5.515-286.0	Wheel cap	2.000	ST
9	2.884-970.0	Spare parts set sweep tank neutrally	1.000	ST
10	5.032-984.0	Ground lip	1.000	ST
11	7.303-106.0	Screw 4x12 -10.9-R2R (IN6RD)	7.000	ST
12	2.884-970.0	Spare parts set sweep tank neutrally	1.000	ST
13	7.312-008.0	Washer 12-200HV-A3E ISO 7090	2.000	ST
14	4.032-018.0	Reversing rolling mill complete	1.000	ST
15	6.435-130.0	Castor D 50 mm	1.000	ST
16	7.312-285.0	Washer 10 -200HV-A2E ISO7093-1	1.000	ST
17	7.311-202.0	Hexagon nut M10-04-A2E ISO 4035	1.000	ST
18	2.884-971.0	Spare parts set side broom	1.000	ST
19	7.311-004.0	Hexagon nut M8 -8-A3E ISO 4032	1.000	ST
20	7.312-233.0	Serrated lock washer A8,4-FSt-A3E DIN67	1.000	ST
21	7.312-004.0	Washer 8 -200HV-A3E ISO 7090	3.000	ST
22	7.304-031.0	Hexagonal head screw M8x55-8.8-A2E ISO	1.000	ST
23	6.387-996.0	Cap	1.000	ST