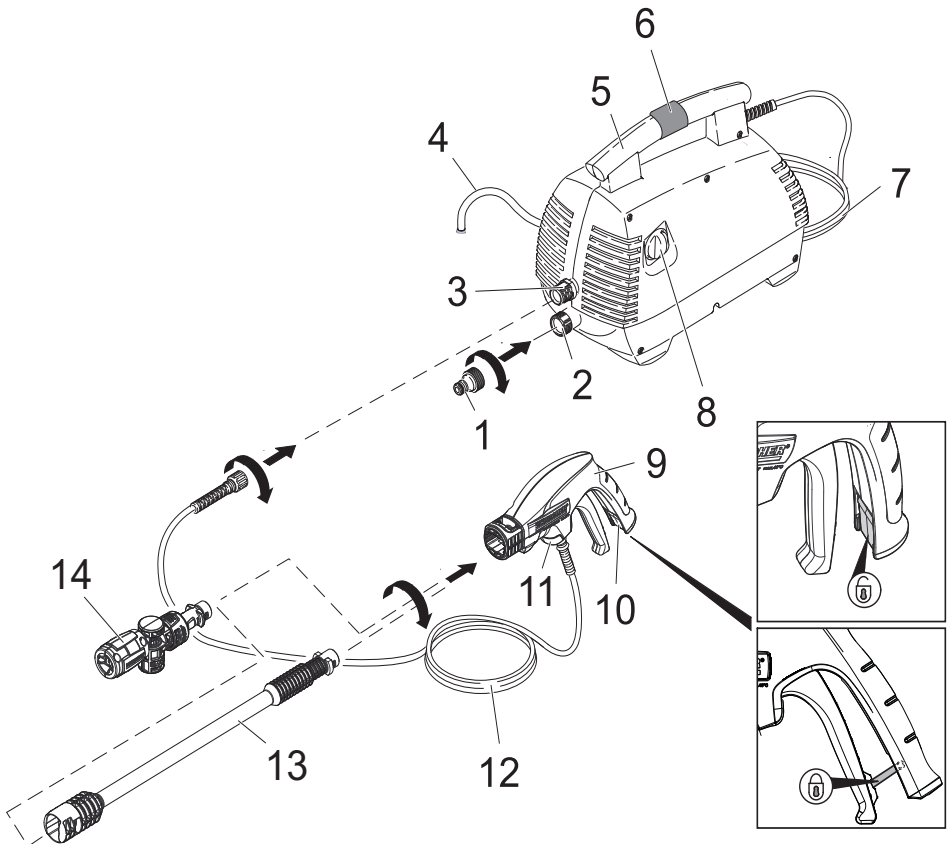
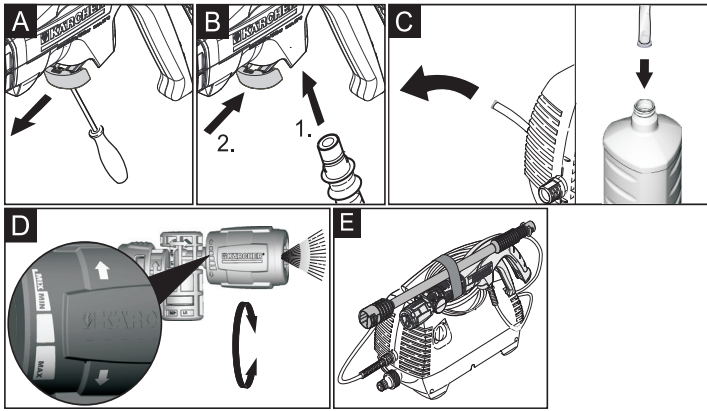


English	3
Español	13
中文	24
Indonesia	32

Register and win!
www.kaercher.com/register-and-win





Contents

General information	EN	3
Safety	EN	4
Operation	EN	7
Transport	EN	10
Storage.	EN	11
Maintenance and care	EN	11
Troubleshooting	EN	11
Technical specifications	EN	12

General information

Dear Customer,



Please read and comply with these original instructions prior to the initial operation of your appliance and store them for later use or subsequent owners.

Scope of delivery

The scope of delivery of your appliance is illustrated on the packaging. Check the contents of the appliance for completeness when unpacking.

In the event of missing accessories or any transport damage, please contact your dealer.

Proper use

This high pressure cleaner is designed for domestic use only.

- for cleaning the external units of air conditioning systems.
- for cleaning machines, vehicles, buildings, tools, facades, terraces, gardening tools, etc. by means of a high-pressure water jet (if necessary, with additional cleaning agents).
- with accessories, replacement parts and cleaning agents approved by KÄRCHER. Please observe the information accompanying the cleaning agents.
- for cleaning non-live components.

Environmental protection



The packaging material can be recycled. Please do not place the packaging into the ordinary refuse for disposal, but arrange for the proper recycling.



Old appliances contain valuable materials that can be recycled.

■ Please arrange for the proper recycling of old appliances. Please dispose your old appliances using appropriate collection systems.



Work with detergents must only be performed on liquid-tight work surfaces with connections to the wastewater runoff. Do not let release detergent into waters or earth.



Cleaning operations which produce oily waste water, e.g. engine washes, underbody washes, may only be carried out using washing stations equipped with an oil separator.

Notes about the ingredients (REACH)

You will find current information about the ingredients at:

www.kaercher.com/REACH

Warranty

The warranty terms published by the relevant sales company are applicable in each country. We will repair potential failures of your appliance within the warranty period free of charge, provided that such failure is caused by faulty material or defects in manufacturing. In the event of a warranty claim please contact your dealer or the nearest authorized Customer Service centre. Please submit the proof of purchase. (See address on the reverse)

Safety

Meaning of the notes

△ Danger

Immediate danger that can cause severe injury or even death.

△ Warning

Possible hazardous situation that could lead to severe injury or even death.

△ Caution

Possible hazardous situation that could lead to mild injury to persons or damage to property.

Caution

Pointer to a possibly dangerous situation, which can lead to property damage.

Symbols on the machine



The high pressure jet may not be directed at persons, animals, live electrical equipment or at the appliance itself. Protect the appliance against frost.

Personal protective equipment

Wear protective clothing and safety goggles to protect against splash back containing water or dirt.

Safe handling

△ Warning

■ *The appliance must not be operated by children or persons who have not been instructed accordingly.*

- *The appliance may be used by individuals with limited physical, sensory or cognitive abilities or lack of experience and knowledge if they are under supervision or were instructed regarding the safe use of the appliance and understand the resulting risks.*
- *Children must not play with this appliance.*
- *Supervise children to prevent them from playing with the appliance.*
- *The user must use the appliance as intended. The person must consider the local conditions and must pay attention to other persons in the vicinity when working with the appliance.*
- *High-pressure hoses, fixtures and couplings are important for the safety of the appliance. Only use high-pressure hoses, fixtures and couplings recommended by the manufacturer.*
- *Do not use the appliance when there are other persons around unless they are also wearing protective clothing.*
- △ **Caution**
 - *In case of extended breaks, switch the appliance off at the main switch / appliance switch or pull the mains plug.*
 - *Reduce the pressure at the nozzle or keep a distance of at least 30 cm to sensitive surfaces and areas such as*

bearings, sealings or electrical components.

- Never leave the appliance unattended as long as it is in operation.
- Do not operate the appliance at temperatures below 0 °C.

Electric components

⚠ Risk of electric shock

- Never touch the mains plug and the socket with wet hands.
- Check the power cord with mains plug for damage prior to every use. Immediately have damaged power cord replaced by an authorised customer service / electrician. Do not operate an appliance if the power cord is damaged.
- All current-conducting parts in the working area must be protected against jet water.
- Make sure that the power cord or extension cable is not damaged by running over, pinching, dragging or the like. Protect the power cords from heat, oil, and sharp edges.
- The mains plug and the coupling of an extension cable must be watertight and must never lie in water. Moreover, the coupling may never lie on the ground. The use of cable reels that ensure that the sockets are at least 60 mm above the ground is recommended.

- This appliance was designed to be used with detergents which are supplied or recommended by the manufacturer. The use of other detergents or chemicals may compromise the safety of the appliance.

⚠ Risk of damage caused by electricity

- Unsuitable electrical extension cables can be hazardous. Only use electrical extension cables outdoors which have been approved and labelled for this purpose and have an adequate cable cross-section: 1 - 10 m: 1.5 mm²; 10 - 30 m: 2.5 mm².
- Always fully unreel the extension cable from the cable drum.
- The appliance may only be connected to an electric supply that has been installed by an electrician in accordance with IEC 60364.
- The appliance may only be connected to alternating current. The voltage must correspond with the type plate of the appliance.
- For safety reasons, we recommend that you operate the appliance only via a residual current device (max. 30 mA).

Other risks

△ Risk of explosion

- *Do not spray flammable liquids.*
- *Never draw in fluids containing solvents or undiluted acids and solvents! This includes petrol, paint thinner and heating oil. The spray mist is highly inflammable, explosive and poisonous. Do not use acetone, undiluted acids and solvents, as they corrode the materials used on the appliance.*
- *The appliance may not be operated in explosive atmospheres.*
- *If the appliance is used in hazardous areas (e.g. filling stations) the corresponding safety regulations must be observed.*

△ Risk of suffocation

- *Keep packaging films away from children, there is a risk of suffocation!*

△ Risk of injury

- *Check important components, such as high-pressure hose, hand spray gun and safety installations, for damage prior to every operation. Immediately replace damaged components. Do not operate appliance with damaged components.*
- *The high-pressure jet must not be directed at other per-*

sons or the user him-/herself to clean clothing or footwear.

- *Never use the appliance to clean objects containing hazardous substances (e.g. asbestos).*
- *Vehicle tyres/tyre valves are susceptible to damage from the high-pressure jet and may burst. The first indication for this is a discolouration of the tyre. Damaged vehicle tyres/tyre valves are perilous. Keep a minimum jet distance of 30 cm during cleaning!*

Safety installations

△ Caution

Safety installations serve the protection of the user and may not be modified or bypassed.

Appliance switch

The appliance switch prevents unintentional operation of the appliance.

Lock trigger gun

This lock locks the lever of the trigger gun and prevents the inadvertent start of the appliance.

Overflow valve with pressure switch

The overflow valve prevents the permissible working pressure from being exceeded.

If the lever on the trigger gun is released the pressure switch turns off the pump, the high pressure jet is stopped. If the lever is pulled the pump is turned on again.

Stability

⚠ **Caution**

Create stability for the appliance prior to any work on or with the appliance to prevent accidents or damage.

The stability of the appliance is warranted when it is placed onto an even surface.

Choose a safe place to stand, assume a secure body stance to avoid being thrown off-balance by the recoil pressure of the jet pistol.

Operation

Description of the Appliance

Illustrations on Page 2

- 1 Coupling element for water connection
- 2 Connection for water supply with filter
- 3 High pressure connection
- 4 Detergent suction hose (with sieve)
- 5 Carrying handle
- 6 VELCRO® fastener
- 7 Mains cable with mains plug
- 8 Appliance switch "0/OFF"/ „I/ON“
- 9 Trigger gun
- 10 Lock trigger gun
- 11 Clamp for high pressure hose
- 12 High pressure hose
- 13 Spray lance extension
- 14 Angle-adjustable spray lance with pressure control (Vario Power)

Special accessories

Special accessories expand the possibilities of using your appliance. Please contact your KÄRCHER dealer for further information.

Recommended optional accessories:

- Spray lance with high pressure nozzle

- Pipe cleaning kit
- Foam nozzle with detergent container

Note: Special accessories can only be attached to the spray lance extension.

Before Startup

Mount loose parts delivered with appliance prior to start-up.

Illustrations on Page 2

Illustration **A**

- Pull out the clamp for the high-pressure hose from the trigger gun (e.g. with a small screwdriver).

Illustration **B**

- Connect high pressure hose to trigger gun.
Push the clamp in until it locks.
Check the secure connection by pulling on the high-pressure hose.

Water supply

Note: According to applicable regulations, the appliance must never be used on the drinking water net without a system separator. A suitable system separator by KÄRCHER or alternatively a system separator according to EN 12729 type BA must be used. Water that was flowing through a system separator is considered non-drinkable.



Caution

Always connect the system separator to the water supply, never directly to the appliance!

Caution

Impurities in the water can damage the high-pressure pump and the accessories. For protection, the use of the KÄRCHER water filter (optional accessory, order no. 4.730-059) is recommended.

Water supply from mains

Observe regulations of water supplier. For connection values, see type plate/technical data.

- Use a fibre-reinforced water hose (not included) with a standard coupling. (Minimum diameter 1/2 inch (13 mm), minimum length 7.5 m).
- Screw the coupling element to the water connection on the appliance.
- Push the water supply hose onto the coupling unit, then connect it to the water supply.

Start up

Caution

Dry running of more than 2 minutes leads to damage of the high-pressure pump. If the appliance does not build up pressure within 2 minutes, switch the appliance off and proceed in accordance with the instructions in Chapter "Troubleshooting".

- Screw the coupling element to the water connection on the appliance.
- Push the water supply hose onto the coupling unit, then connect it to the water supply.
- Connect the high pressure hose to the high pressure connection of the appliance.
- Attach the spray lance/ extension to the hand spray gun and secure it by a 90° rotation.
- Completely open the water tap.
- Insert the mains plug into the socket.
- Turn on the appliance "I/ON".

Operation

Note: When cleaning air conditioning units, observe the manufacturer's information.

⚠ **Danger**

The water jet that is emitted from the high-pressure nozzle results in a repulsion power acting on the hand spray gun. Make sure that you have a firm footing and are also holding the hand spray gun and spray lance/ extension firmly.

High-pressure jets can be dangerous if improperly used. The jet may not be directed at persons, animals, live electrical equipment or at the appliance itself.

- Unlock the lever on the trigger gun.
- Pull on the lever of the trigger gun; the device will switch on.

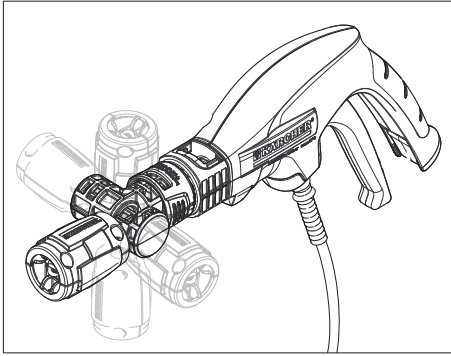
Note: Release the lever of the trigger gun; the device will switch off again. High pressure remains in the system.

Angle-adjustable spray lance with pressure control (Vario Power)

Illustration

The working pressure is continuously adjustable between "Min" and "Max". The spray lance head can be swivelled up and down by 90° respectively and rotated by 360°.

- Release the lever on the trigger gun.
- Turn the spray lance head in the required angular position.



Note: The adjustability of the spray lance head ensures easier access to hard-to-reach places.

Note: Suitable for use with detergents.

Recommended cleaning method

➔ Spray the detergent sparingly on the dry surface and allow it to react, but not to dry.

Note: Reaction time 2-5 minutes.

➔ Pre-clean the sensitive fins of the air conditioner with the Vario Power Jet. Adjust pressure setting and orientation of Vario Power Lance.

➔ Pre-clean the whole unit with high pressure jet.

➔ Dry the air conditioner or rub down if necessary with a cloth.

Pressure settings

Caution

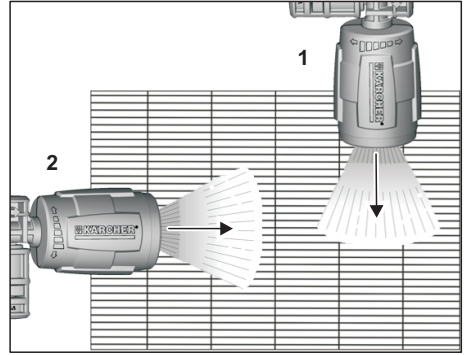
A careful treatment of the sensitive fins is essential to maintain their function.

Adjustment of the pressure depends on personal estimation and cleaning direction.

- Min - low pressure (20 bar). For small air conditioner units with sensitive fins and light soiling.
- Middle pressure (approximate 50 bar). For small to middle air conditioner units with more robust fins.

- Maximum - high pressure (100 bar). For surfaces with heavy soiling and with robust fins.

Note: Cleaning direction of the high pressure jet:



1 Min - low pressure (20-50 bar).

Cleaning against the direction of the fins.

2 Min - Max high pressure (20-100 bar).

Cleaning with the direction of the fins.

Note: Optimum detergent application is only guaranteed with the accessories included in the scope of supply.

Working with detergent

⚠ Danger

The use of wrong detergents or chemicals can compromise the safety of the appliance. Please use exclusively KÄRCHER detergents and care products to carry out the respective cleaning task, as these were specifically developed for your appliance. The use of other detergents and care products may lead to premature wear and can invalidate your warranty claims. Please obtain information at your local dealer or request information directly from KÄRCHER.

⚠ Danger

The improper use of detergents can cause severe injuries or toxication.

When using detergents, the material data safety sheet issued by the detergent manufacturer must be adhered to, especially the instructions regarding personal protective equipment.

Illustration 

- Pull detergent suction hose as far as is required out of the housing.
- Suspend end of detergent suction hose in a container filled with detergent.
- Use spray lance with pressure regulation (Vario Power).

Illustration 

- Turn the spray lance to "Mix" position.

Note: This will mix the detergent with the water stream.

Interrupting operation

- Release the lever on the trigger gun.
- Lock the lever on the trigger gun.
- During longer breaks (more than 5 minutes), also turn the appliance off using the "0/OFF" switch.

Finish operation

Caution

Only separate the high-pressure hose from the hand spray gun or the appliance when there is no pressure in the system.

- After working with detergent, suspend detergent suction hose in a container filled with clear water, switch the appliance on for around 1 minute once the spray lance has

been removed and rinse until water runs clear.

- Release the lever on the trigger gun.
- Turn off the appliance "0/OFF".
- Turn off tap.
- Press the lever on the trigger gun to release any remaining pressure in the system.
- Detach the appliance from the water supply.
- Lock the lever on the trigger gun.
- Pull out the mains plug.

Illustration 

- Stow the power cord, high-pressure hose and accessories on the appliance by means of a VELCRO® fastener.

Note: Check the air conditioning unit for damage prior to recommissioning.

Transport

Caution

In order to prevent accidents or injuries, keep in mind the weight of the appliance during transport (see Specifications).

When transporting by hand

- Lift appliance by the carrying handle and carry it.

When transporting in vehicles

- Secure the appliance against shifting and tipping over.

Storage

Caution

In order to prevent accidents or injuries, mind the weight of the appliance when choosing the storage location (see technical data).

Storing the Appliance

Prior to extended storage periods, as during the winter, also observe the instructions in the Care section.

- Park the machine on an even surface.
- Stow away the mains cable, the high-pressure hose and accessory on the appliance.

Frost protection

Caution

Appliances and accessories that are not completely drained can be destroyed by frost. Completely drain appliance and accessories and protect them against frost.

To avoid damage:

- Completely drain all water from the appliance: Switch the appliance on with detached high pressure hose and detached water supply (max. 1 minute) and wait, until no more water exits at the high pressure connection. Turn off the appliance.
- Store the appliance and the entire accessories in a frost free room.

Maintenance and care

⚠ Danger

Risk of electric shock. Turn off the appliance and remove the mains plug prior to performing any care and maintenance work.

Care

Prior to longer periods of storage, e.g. in the winter:

- Remove filter from suction hose for detergent and clean under running water.
- Pull out the sieve in the water connection using flat-nose pliers and clean under running water.

Maintenance

The appliance is maintenance free.

Spare parts

Use only original KÄRCHER spare parts. You will find a list of spare parts at the end of these operating instructions.

Troubleshooting

You can rectify minor faults yourself with the help of the following overview. If in doubt, please consult the authorized customer service.

⚠ Danger

Repair work and work on the electrical components may only be performed by an authorised customer service.

Appliance is not running

- Pull on the lever of the trigger gun; the device will switch on.
- Check whether the voltage indicated on the type plate corresponds to the voltage of the mains supply.
- Check the mains connection cable for damages.

Pressure does not build up in the appliance

- Appliance ventilation: Switch the appliance on with the high-pressure hose detached and operate (max. 2 minutes) until the water exits the high-pressure connection without bubbles. Switch off appliance and reconnect high-pressure hose.
- Check water supply for adequate delivery rate.
- Pull out the sieve in the water connection using flat-nose pliers and clean under running water.

Strong pressure fluctuations

- Clean high-pressure nozzle: Remove dirt and debris from the nozzle bore, using a needle and rinse through with water from the front.
- Check water flow quantity.

Appliance is leaking

- Slight leakage from the appliance pump is normal. If the leakage increases contact the authorized customer service.

No detergent infeed

- Detach spray lance from the trigger gun. Work only with the trigger gun.
- Clean the detergent suction hose filter.
- Check the detergent suction hose for kinks.

Technical specifications

Electrical connection

Voltage	220-240 V
	50 Hz
Connected load	1,4 kW
Protection class	IP X5
Protective class	I
Mains fuse (slow-blow)	10 A

Water connection

Feed pressure	0,2-1,2 MPa
Max. feed temperature	40 °C
Min. feed volume	8 l/min

Performance data

Working pressure	7 MPa
Max. permissible pressure	10 MPa
Water flow rate	5,5 l/min
Detergent flow rate	0,4 l/min
Recoil force of trigger gun	10 N

Dimensions and weights

Length	374 mm
Width	201 mm
Height	296 mm
Weight	7,9 kg

Values determined as per EN 60335-2-79

Hand-arm vibration value	<2,5	m/s ²
Uncertainty K	0,3	m/s ²
Sound pressure level L _{pA}	68	dB(A)
Uncertainty K _{pA}	3	dB(A)
Sound power level L _{WA} +	83	dB(A)
Uncertainty K _{WA}		

Subject to technical modifications!

Índice de contenidos

Indicaciones generales	ES	3
Seguridad	ES	4
Manejo	ES	8
Transporte	ES	12
Almacenamiento	ES	12
Cuidados y mantenimiento	ES	12
Ayuda en caso de avería	ES	13
Datos técnicos	ES	13

Indicaciones generales

Estimado cliente:



Antes del primer uso de su aparato, lea este manual original, actúe de acuerdo a sus indicaciones y guárdelo para un uso posterior o para otro propietario posterior.

Volumen del suministro

El contenido de suministro de su aparato está ilustrado en el embalaje. Verifique durante el desembalaje que no falta ninguna pieza.

En caso de detectar que faltan accesorios o que han surgido daños durante el transporte, informe a su distribuidor.

Uso previsto

Utilice esta limpiadora de alta presión, exclusivamente, en el ámbito doméstico:

- para limpiar la unidad externa de instalaciones de aire acondicionado.
- para limpiar máquinas, vehículos, obras, herramientas, fachadas, terrazas, herramientas de jardinería etc. con chorro de agua de alta presión (si es necesario agregar detergente).
- con accesorios autorizados por KÄRCHER, recambios y detergen-

tes. Respetar las indicaciones de los detergentes.

- para limpiar piezas no conductoras de corriente.

Protección del medio ambiente



Los materiales de embalaje son reciclables. Por favor, no tire el embalaje a la basura doméstica; en vez de ello, entréguelo en los puntos oficiales de recogida para su reciclaje o recuperación.



Los aparatos viejos contienen materiales valiosos reciclables que deberían ser entregados para su aprovechamiento posterior. Por este motivo, entregue los aparatos usados en los puntos de recogida previstos para su reciclaje.



Solo se pueden realizar trabajos con detergentes en superficies herméticas con una conexión al desagüe de agua sucia. No permitir que se entre el detergente en las aguas naturales ni penetre en el suelo.



Los trabajos de limpieza que producen aguas residuales que contienen aceite (p. ej., el lavado de motores o el lavado de los bajos) solo se deben realizar en zonas de lavado que dispongan de separador de aceite.

Indicaciones sobre ingredientes (REACH)

Encontrará información actual sobre los ingredientes en:

www.kaercher.com/REACH

Garantía

En todos los países rigen las condiciones de garantía establecidas por nuestra empresa distribuidora. Las averías del aparato serán subsanadas gratuitamente dentro del periodo de garantía, siempre que se deban a defectos de material o de fabricación. En un caso de garantía, le rogamos que se dirija con el comprobante de compra al distribuidor donde adquirió el aparato o al servicio al cliente autorizado más próximo a su domicilio.

(La dirección figura al dorso)

Seguridad

Significado de los avisos

⚠ Peligro

Para un peligro inminente que acarrea lesiones de gravedad o la muerte.

⚠ Advertencia

Para una situación que puede ser peligrosa, que puede acarrear lesiones de gravedad o la muerte.

⚠ Precaución

Para una situación que puede ser peligrosa, que puede acarrear lesiones leves o daños materiales.

Atención

Aviso sobre una situación probablemente peligrosa que puede provocar daños materiales.

Símbolos en el aparato



No dirija el chorro de alta presión hacia personas, animales, equipamiento eléctrico activo, ni apunte con él al propio aparato. Proteger el aparato de las heladas.

Equipo protector personal

Póngase ropa y gafas protectoras adecuadas para protegerse de las salpicaduras de agua y de la suciedad.

Manipulación segura

⚠ Advertencia

- *Los niños o las personas no instruidas sobre su uso no deben utilizar el aparato.*
- *El aparato puede ser operado por personas con capacidades físicas, sensoriales o intelectuales reducidas o falta de experiencia y conocimientos, si son supervisados o han sido informados sobre cómo utilizar el aparato de forma segura y comprenden los posibles peligros.*
- *Los niños no pueden jugar con el aparato.*
- *Supervisar a los niños para asegurarse de que no jueguen con el aparato.*
- *El usuario debe utilizar el equipo de forma correcta. Debe tener en cuenta las situaciones locales y respetar las personas del entorno a la hora de trabajar con el aparato.*

- *Las mangueras de alta presión, fijaciones y acoplamientos son importantes para la seguridad del equipo. Utilizar solo las mangueras de alta presión, fijaciones y acoplamientos recomendados por el fabricante.*
- *No utilizar el equipo si hay otras personas al alcance a no ser que utilicen vestuario de protección personal.*

△ Precaución

- *Si se realizan pausas de trabajo prolongadas, desconectar el equipo con el interruptor principal/ interruptor del aparato o desenchufar.*
- *En el caso de superficies y áreas delicadas, como los cojinetes, juntas o piezas eléctricas, reducir la presión de la boquilla o mantener al menos una distancia de 30cm.*
- *No dejar el equipo nunca sin vigilancia mientras esté en funcionamiento.*
- *No operar el equipo a temperaturas inferiores a 0°C.*

Componentes eléctricos

△ Peligro por descarga eléctrica

- *No tocar nunca la clavija ni el enchufe con manos húmedas.*
- *Comprobar si está dañado el cable de alimentación con el conector de red antes de cada servicio. Si el cable de alimentación está dañado so-*

licitar al servicio de postventa/ electricista autorizado que lo cambie inmediatamente. No operar el equipo con un cable de alimentación dañado.

- *Todas las partes conductoras de corriente de la zona de trabajo tienen que estar protegidas contra los chorros de agua.*
- *Tener cuidado de no atropellar, aplastar o tirar del cable de alimentación o el conducto de prolongación para evitar dañarlos o estropearlos. Proteger los cables de alimentación del calor, el aceite y los bordes afilados.*
- *El enchufe y el acoplamiento de un conducto de prolongación tienen que ser estancos y no pueden estar dentro del agua. El acoplamiento no puede seguir en el suelo. Se recomienda utilizar enrolladores de cables que garantizan que los enchufes estén al menos a 60mm del suelo.*
- *Este aparato se ha desarrollado para utilizar los detergentes suministrados o recomendados por el fabricante. La utilización de otros detergentes o sustancias químicas puede influir en la seguridad del aparato.*

△ Advertencia de daños causados por la corriente

- *Los cables eléctricos prolongadores inadecuados pueden ser peligrosos. Para el*

exterior, utilice solo cables de prolongación eléctricos autorizados expresamente para ello, adecuadamente marcados y con una sección de cable suficiente: 1 - 10 m: 1,5 mm²; 10 - 30 m: 2,5 mm²:

- Desenrollar siempre el conducto de prolongación completo del enrollador de cables.
- El equipo solo se puede conectar a una toma eléctrica que haya sido instalada por un electricista conforme a IEC 60364.
- Conectar el equipo solo a corriente AC. La tensión tiene que coincidir con la placa de características del equipo.
- Por razones de seguridad, también recomendamos utilizar el aparato siempre con un interruptor de corriente por defecto (max. 30 mA).

Otros peligros

⚠ **Riesgo de explosión**

- No pulverizar líquidos combustibles.
- ¡No aspirar nunca líquidos que contengan disolventes, ácidos sin disolver o disolventes! Como gasolina, disolvente de pintura o fuel. La neblina de pulverización es altamente inflamable, explosiva y tóxica. No utilizar acetona, ácidos sin disolver ni disolvente, puede atacar a los materiales utilizados en el equipo.

- Está prohibido el funcionamiento en zonas donde haya riesgo de explosión.
- Si se usa el equipo en zonas de riesgo (p.ej. gasolineras) se deben respetar las reglamentaciones de seguridad correspondientes.

⚠ **Riesgo de asfixia**

- ¡Mantener los plásticos del embalaje fuera del alcance de los niños, se corre el riesgo de asfixia!

⚠ **Riesgo de lesiones**

- Antes del servicio, comprobar si están dañados los componentes importantes, como la manguera de alta presión, la pistola pulverizadora y los dispositivos de seguridad. Cambiar inmediatamente los componentes dañados. No operar el equipo con componentes dañados.
- No dirigir el chorro de alta presión hacia uno mismo o hacia otros para limpiar ropa o calzado.
- No rociar objetos que contengan sustancias nocivas para la salud (p.ej. asbesto).
- Los neumáticos del vehículo/válvulas de los neumáticos pueden sufrir daños por el chorro de alta presión y reventar. Una primera señal de ello es una coloración del neumático. Los neumáticos del vehículo/válvulas de los neumáticos dañados son peligrosos. Durante la limpieza, mantener una distancia mínima de 30cm con el chorro.

Dispositivos de seguridad

△ Precaución

Los dispositivos de seguridad sirven para proteger al usuario y no se pueden modificar o sor-tear.

Interruptor del equipo

El interruptor del aparato impide el funcionamiento involuntario del mismo.

Bloqueo de la pistola pulverizadora manual

El bloqueo bloquea la palanca de la pistola pulverizadora manual e impide que el aparato se ponga en marcha de forma involuntaria.

Válvula de derivación con presostato

La válvula de derivación evita sobrepasar la presión de trabajo permitida.

Cuando se suelta la palanca de la pistola pulverizadora manual, un presostato desconecta la bomba y el chorro de alta presión se para. Cuando se acciona la palanca, se conecta la bomba nuevamente.

Estabilidad

△ Precaución

Antes de realizar cualquier tarea con o en el equipo, estabilizarlo para evitar accidentes o daños si se cae el equipo.

La posición segura del aparato se garantiza si se coloca sobre una superficie lisa.

Seleccionar una posición segura y adoptar una posición del cuerpo segura para no perder el equilibrio por la fuerza de retroceso de la pistola de chorreo.

Manejo

Descripción del aparato

Ilustraciones, véase la página 2

- 1 Pieza de acoplamiento para la conexión de agua
- 2 Conexión de agua con filtro
- 3 Conexión de alta presión
- 4 Manguera de aspiración para detergente (con filtro)
- 5 Asa de transporte
- 6 Cierre con VELCRO®
- 7 Cable de conexión a red y enchufe de red
- 8 Interruptor del aparato „0/OFF“ / „I/ON“
- 9 Pistola pulverizadora manual
- 10 Bloqueo de la pistola pulverizadora manual
- 11 Grapa para manguera de alta presión
- 12 Manguera de alta presión
- 13 Prolongación de la lanza dosificadora
- 14 Lanza dosificadora regulable con regulación de la presión (Vario Power)

Accesorios especiales

Los accesorios especiales amplían las posibilidades de uso del aparato. Su distribuidor KÄRCHER le dará información más detallada.

Accesorios especiales recomendados:

- Lanza de agua con tobera alta presión
- Set de limpieza de tuberías
- Boquilla de espuma con depósito de detergente

Indicación: El accesorio especial solo se puede montar en la prolongación de la lanza dosificadora.

Antes de la puesta en marcha

Antes de la puesta en marcha montar las piezas sueltas suministradas con el aparato.

Ilustraciones, véase la página 2

Figura **A**

→ Extraer la grapa para la manguera de alta presión de la pistola pulverizadora manual (p. ej. con un destornillador).

Figura **B**

→ Introducir la manguera de alta presión en la pistola pulverizadora manual.

Presionar la grapa hacia dentro hasta que se encaje. Comprobar si la conexión es segura tirando de la manguera de alta presión.

Suministro de agua

Aviso: conforme a las reglamentaciones vigentes, el equipo no se puede operar nunca sin el separador de sistema en la red de agua potable. Se debe utilizar un separador de sistema apropiado de la empresa KÄRCHER u otro que cumpla la norma EN 12729 tipo BA. El agua que haya fluido por un separador de sistema se clasificará como no potable.



Atención

Conectar el separador de sistema siempre a la alimentación de agua, nunca directamente al equipo.

Atención

La suciedad en el agua puede dañar la bomba de alta presión y los accesorios. Como protección se recomienda utilizar el filtro de agua KÄRCHER (accesorios especiales, referencia de pedido 4.730-059).

Suministro de agua desde la tubería de agua

Tenga en cuenta las normas de la empresa suministradora de agua.

Valores de conexión: véase la placa de características/datos técnicos.

- Utilice una manguera de agua de tejido resistente (no está incluida en el volumen de suministro) con un acoplamiento de los habituales en el mercado. (Diámetro mínimo 1/2 pulgada o 13 mm; longitud mínima 7,5 m).
- Atornille la pieza de acoplamiento a la conexión de agua del aparato suministrada.
- Meta la manguera de agua en la pieza de acoplamiento del aparato y conéctela al suministro de agua.

Puesta en marcha

Precaución

La marcha en vacío durante más de 2 horas provoca daños en la bomba de alta presión. Si el equipo no genera presión en 2 minutos, desconectar el equipo y proceder conforme a las indicaciones del capítulo "Ayuda en caso de fallo".

- Atornille la pieza de acoplamiento a la conexión de agua del aparato suministrada.
- Meta la manguera de agua en la pieza de acoplamiento del aparato y conéctela al suministro de agua.
- Unir la manguera de alta presión con la conexión de alta presión del aparato.
- Inserte la prolongación de la lanza dosificadora en la pistola pulverizadora manual y fíjela girándola 90°C.
- Abrir totalmente el grifo del agua.

- Enchufar la clavija de red a una toma de corriente.
- Conectar el aparato „I/ON“.

Funcionamiento

Indicación: Respetar las indicaciones del fabricante para limpiar los equipos de aire acondicionado.

⚠ Peligro

El chorro de agua que sale de la boquilla de alta presión provoca una fuerza de retroceso en la pistola pulverizadora manual.

Asegúrese de estar en una posición segura y sujete con firmeza la pistola pulverizadora manual y la prolongación de la lanza dosificadora.

Los chorros a alta presión pueden ser peligrosos si se usan indebidamente. No dirija el chorro hacia personas, animales o equipamiento eléctrico activo, ni apunte con él al propio aparato.

- Desbloquear la palanca de la pistola pulverizadora manual.
- Tirar de la palanca, el aparato se enciende.

Nota: Si no se suelta la palanca, el aparato vuelve a apagarse. La alta presión se mantiene en el sistema.

Lanza dosificadora regulable con regulación de la presión (Vario Power)

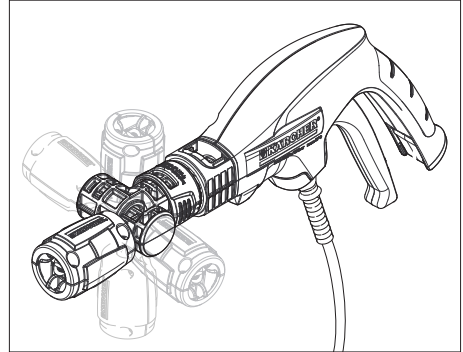
Figura **1**

La presión de trabajo se puede regular en pasos entre Min“ y Max“.

El cabezal de la lanza dosificadora se puede mover hacia arriba y hacia abajo 90° y girar 360°.

- Suelte la palanca de la pistola pulverizadora manual.

- Girar el cabezal de la lanza dosificadora en la posición angular deseada.



Indicación: Al poder regular el cabezal de la lanza dosificadora se garantiza un mejor acceso a las zonas más difíciles.

Indicación: Apto para trabajar con detergentes.

Método de limpieza recomendado

- Rocíe la superficie seca con detergente y déjelo actuar pero sin dejar que se seque.

Indicación: Tiempo de actuación 2-5 minutos.

- Limpiar previamente las delicadas laminillas del aire acondicionado con el chorro Vario Power. Ajustar la configuración presión y orientación de la lanza Vario Power.
- Limpiar previamente toda la unidad con el chorro de alta presión.
- Secar el aire acondicionado o frotar con un paño si es necesario.

Configuraciones de presión

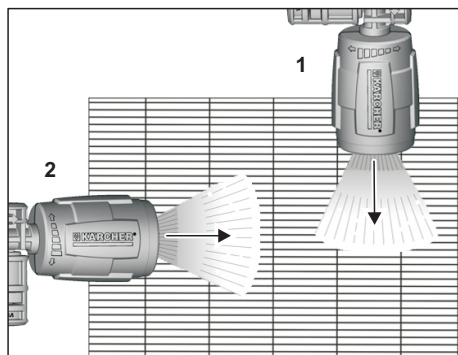
Atención

Es imprescindible tratar con cuidado las delicadas laminillas para mantener su funcionamiento.

El ajuste de la presión depende de la estimación personal y la dirección de limpieza.

- Min - baja presión (20 bar). Para equipos de aire acondicionado pequeñas con laminillas delicadas y ligera cubierta de la base.
- Presión media (aprox. 50 bar). Para equipos de aire acondicionado medianos con laminillas más resistentes.
- Máximo- alta presión (100 bar). Para superficies con cubierta de base pesada y laminillas resistentes.

Nota: dirección de limpieza del chorro de alta presión:



- 1 Min - baja presión (20-50 bar). Limpieza en la dirección contraria a las laminillas.
- 2 Min - Max alta presión (20-100 bar). Limpieza en la dirección de las laminillas.

Indicación: Solo se garantiza una aplicación óptima del detergente si se utilizan los accesorios suministrados.

Trabajo con detergentes

⚠ Peligro

El uso de detergentes o productos químicos erróneos puede perjudicar la seguridad del equipo.

Utilice sólo detergentes y productos de limpieza KÄRCHER para cada tipo de tarea de limpieza. Han sido especialmente creados para su aparato. El uso de otros detergentes y productos de limpieza pueden provocar un desgaste más rápido y la invalidación de la garantía. Solicite el asesoramiento oportuno en una tienda especializada y pida la información correspondiente a KÄRCHER.

⚠ Peligro

Si se utilizan erróneamente detergentes, se pueden provocar lesiones graves o intoxicaciones.

Si se usan detergentes se debe tener en cuenta la hoja de datos de seguridad del fabricante del detergente, especialmente las indicaciones sobre el equipamiento de protección personal.

Figura **C**

- Saque la manguera de aspiración de detergente de la carcasa hasta la longitud deseada.
- Cuelgue la manguera de aspiración de detergente en un depósito que contenga una solución de detergente.
- Utilizar la lanza dosificadora con regulación de la presión (Vario Power).

Figura **D**

- Girar la lanza dosificadora hasta la posición "Mix".

Nota: De este modo se añade durante el funcionamiento la solución de detergente al chorro de agua.

Interrupción del funcionamiento

- Suelte la palanca de la pistola pulverizadora manual.
- Bloquear la palanca de la pistola pulverizadora manual.
- Durante las pausas de trabajo prolongadas (de una duración superior a 5 minutos), desconectar además el aparato „0/OFF“.

Finalización del funcionamiento

Precaución

La manguera de alta presión solo se puede separar de la pistola pulverizadora o el equipo si no hay presión en el sistema.

- Después de trabajar con detergentes, cuelgue la manguera de aspiración en un depósito de agua limpia, conectar el aparato durante aprox. 1 minuto con la lanza dosificadora desmontada y enjuagarlo.
- Suelte la palanca de la pistola pulverizadora manual.
- Desconectar el aparato "0/OFF".
- Cierre el grifo de agua.
- Apriete la palanca de la pistola pulverizadora manual para eliminar la presión que todavía hay en el sistema.
- Desconectar el aparato del suministro de agua.
- Bloquear la palanca de la pistola pulverizadora manual.
- Extraer el enchufe de la red.

Figura 

- Guardar el cable de conexión de red, la manguera de alta presión y los accesorios de aparato con cierre de VELCRO®.

Indicación: Comprobar si el equipo de aire acondicionado está dañado antes de la siguiente puesta en marcha.

Transporte

Precaución

Para evitar accidentes o lesiones, tener en cuenta el peso del aparato para el transporte (véase Datos técnicos).

Transporte manual

- Levante el aparato por el asa y de sopórtelo.

Transporte en vehículos

- Asegurar el aparato para evitar que se deslice o vuelque.

Almacenamiento

Precaución

Para evitar accidentes o lesiones se debe tener en cuenta el peso del equipo a la hora de elegir el lugar de almacenamiento (véase los datos técnicos).

Almacenamiento del aparato

Antes de almacenar el aparato durante un período prolongado, como por ejemplo en invierno, respetar también las indicaciones del capítulo Cuidados.

- Coloque el dispositivo sobre una superficie plana.
- Guardar el cable de conexión de red, la manguera de alta presión y los accesorios en el aparato.

Protección antiheladas

Atención

Los equipos y accesorios que no hayan sido totalmente vaciados puede ser destrozados por

las heladas. Vaciar completamente el equipo y los accesorios y proteger de las heladas.

Para evitar daños:

- Vaciar totalmente el aparato, sacando todo el agua: conectar el aparato (máx. 1 min) con la manguera de alta presión y el suministro de agua desconectados, hasta que ya no salga agua de la conexión de alta presión. Desconectar el aparato.
- Almacenar el aparato en un lugar a prueba de heladas con todos los accesorios.

Cuidados y mantenimiento

⚠ Peligro

Riesgo de descarga eléctrica. Desconectar el equipo y desconectar antes de realizar trabajos de mantenimiento o cuidados.

Cuidado del aparato

Antes de un almacenamiento prolongado, p. e., durante el invierno:

- Quitar el filtro de la manguera de aspiración del detergente y limpiarlo colocándolo bajo agua corriente.
- Extraer el tamiz de la conexión del agua con unos alicates de punta plana y limpiarlo colocándolo bajo agua corriente.

Mantenimiento

El aparato no precisa mantenimiento.

Piezas de repuesto

Emplear únicamente repuestos originales de KÄRCHER. Al final de este manual de instrucciones encontrará un listado resumido de repuestos.

Ayuda en caso de avería

Usted mismo puede solucionar las pequeñas averías con ayuda del resumen siguiente.

En caso de duda, diríjase al servicio de atención al cliente autorizado.

⚠ Peligro

Solo puede realizar reparaciones y trabajar con las piezas eléctricas el servicio de postventa autorizado.

El aparato no funciona

- Tirar de la palanca de la pistola pulverizadora manual, el aparato se conecta.
- Comprobar si la tensión indicada en la placa de características coincide con la tensión de la fuente de alimentación.
- Comprobar si el cable de conexión a la red presenta daños.

El aparato no alcanza la presión necesaria

- Purgar el aparato: conectar el aparato sin conectar la manguera de alta presión y esperar (máx. 2 minutos) hasta que salga el agua sin burbujas por la conexión de alta presión. Desconectar el aparato y volver a conectar la manguera de alta presión.
- comprobar que el suministro de agua tiene suficiente caudal.
- Extraer el tamiz de la conexión del agua con unos alicates de punta plana y limpiarlo colocándolo bajo agua corriente.

Grandes oscilaciones de la presión

- Limpiar la boquilla de alta presión: eliminar las impurezas del orificio de la boquilla con una aguja y aclarar con agua desde la parte delantera.
- Comprobar el caudal de agua.

El aparato presenta fugas

- El aparato presenta una ligera falta de estanqueidad por razones técnicas. En caso de que la falta de estanqueidad sea grande, contactar al Servicio técnico autorizado.

El aparato no aspira detergente

- Separe la lanza dosificadora de la pistola pulverizadora manual. Trabajar solo con la pistola pulverizadora manual.
- Limpiar el filtro de la manguera de aspiración de detergente.
- Comprobar si la manguera de aspiración presenta dobleces.

Datos técnicos

Conexión eléctrica

Tensión	220-240 V	
	50	Hz
Potencia conectada	1,4	kW
Grado de protección	IP X5	
Clase de protección	I	
Fusible de red (inerte)	10	A

Conexión de agua

Presión de entrada	0,2-1,2	MPa
Temperatura de entrada (máx.)	40	°C
Velocidad de alimentación (mín.)	8	l/min

Potencia y rendimiento

Presión de trabajo	7	MPa
Presión máx. admisible	10	MPa
Caudal, agua	5,5	l/min
Caudal, detergente	0,4	l/min
Fuerza de retroceso de la pistola pulverizadora manual	10	N

Medidas y pesos

Longitud	374	mm
Anchura	201	mm
Altura	296	mm
Peso	7,9	kg

Valores calculados conforme a la norma EN 60335-2-79

Valor de vibración mano-brazo	<2,5	m/s ²
Inseguridad K	0,3	m/s ²
Nivel de presión acústica		
L _{pA}	68	dB(A)
Inseguridad K _{pA}	3	dB(A)
Nivel de potencia acústica ca L _{WA} + inseguridad K _{WA}	83	dB(A)



Reservado el derecho a realizar modificaciones técnicas.

目录

一般事项	ZH	3
安全	ZH	4
操作说明	ZH	6
运输	ZH	8
储存	ZH	9
保养与维护	ZH	9
故障排除	ZH	9
产品规格 / 参数	ZH	10

一般事项

亲爱的客户：

  在您初次使用本产品前，请仔细阅读本说明书，并请妥善保存以便日后查阅。

供货范围

设备的供货范围都已绘制在包装上。因此，打开包装时请检查产品是否齐全。如有附件缺失或在运输过程中损坏，请联系经销商。

合乎规定的使用

本高压清洁器只限私人居家日用。

- 用于清洁空调设备外部单元。
- 使用高压喷水清洁机器、汽车、建筑物、工具、墙面、露台、园林工具等（需要时加清洁剂）。
- 使用经 KÄRCHER 许可的附件、备件以及洗涤剂。注意清洁剂随附的提示。
- 用于清洁不导电的部件。

环境保护



包装材料可以回收利用。请不要把包装材料与普通垃圾放在一起处理，而应妥善安排回收。



旧的设备中含有宝贵的可再利用的材料，应加以回收利用。请通过适当的收集系统处理您的旧设备。



只允许在与排污系统相连的不渗透的工作台上，使用洗涤剂执行作业。不要将洗涤剂排放到河道或土壤中。



产生含油废水的清洗工作，如清洗发动机和地坑，只允许在配有油分离器的清洗场所对其进行清洗。

内部材料提示 (REACH)

最新的内部材料信息请您在如下链接中查找：

www.kaercher.com/REACH

质量保证

我们的质量保证条款适用于全球各分公司。在质量保证期内，如果您的产品发生了任何故障，我们都将为您提供免费维修，但是这种故障应当是由于机身材料或制造上的缺陷造成的。请您向经销商或者与您距离最近的经过授权的客户服务处联系，提出保修请求，并提供相应的产品购买证明文件。

(地址详见背面。)

安全

提示含义

△ 危险

即刻引发威胁的危险，致使身体严重伤害或死亡。

△ 警告

潜藏的危险情况，可能致使身体严重伤害或死亡。

△ 注意

潜藏的危险情况，可能致使身体轻微伤害或损伤。

注意

提示可能产生财产损失的危险状况。

设备上的符号

高压水柱不能对准人、动物、电器设备或者设备自身喷射。设备防寒保护。



个人防护装备

请穿戴合适的防护服和防护镜，以防止使用时从被清洁物体表面溅出的水渍或污渍。

安全处理

△ 警告

- 儿童或未经指导的人员都不准操作本设备。
- 身体较弱、敏感性或者智力能力较弱以及缺乏经验和知识的人，只要在旁人监督或对机器相关使用安全和了解操作产生的危险，都可以使用该机器。
- 儿童不得玩耍本设备。
- 照看好儿童，以确保他们不用设备玩耍。

- 用户必须按规定使用吸尘器。同时要重视地方现行的规定并在设备工作时照看好场所内的人员。
- 高压软管、水龙头和连接器对机器安全十分重要。只能使用生产商推荐的高压软管、水龙头和连接器。
- 如射程范围内有其他人，除非他们穿上防护服，否则不得使用本设备。
- △ 注意
 - 若工体时间比较长，关闭设备总开关 / 设备开关或拔下电源插头。
 - 在敏感表面以及如轴承、密封件或电气元件等区域内减小吸嘴压力或至少保持 30 cm 距离。
 - 吸尘器运行期间不可无人看管。
 - 温度低于 0 ° C 时无法运行机器。

电气部件

△ 由电击带来的危险

- 决不能用湿手触及电源插头或者插座。
- 每次运行前都要测试一下带插头的电源连接导线是否有损坏。损坏的电源连接导线应立即让已授权的客户服务处 / 电气专业人员进行更换。不得使用带受损电源连接导线的设备。
- 所有工作领域内的电气部件都必须防水。
- 注意电源接线或延长线缆不要受到碾压、挤压、硬拉或类似行为而遭损伤或损坏。

防止电源线缆受热、油和尖锐棱角的损坏。

- 电源插头和延长线缆的连接器必须确保防水且不可置于水中。此外不能将连接器置于地面。建议使用确保插座离地面至少 60 毫米的电缆轴。
- 本设备只能使用制造商提供或推荐的洗涤剂。使用其他的洗涤剂或化学试剂会影响设备的安全性。
- △ 电流损伤警告
 - 加长电线如不合适，将带来危险。室外请只使用经过许可并相应进行了标识且具有足够横截面积的加长电线。1 - 10 m: 1.5 mm²; 10 - 30 m: 2.5 mm²;
 - 延长线缆总是从电缆轴上完全展开。
 - 本设备只能根据 IEC 60364 由电工连接到电气接口。
 - 设备只能连接到交流电上。电压必须跟设备型号标牌上给出的电压一致。
 - 出于安全原因，原则上我们建议您通过故障电流保护开关（最大 30 mA）运行设备。

其他危险

- △ 爆炸危险
 - 不得喷射可燃液体。
 - 决不使用设备抽吸具有溶媒性质的液体或未经稀释的酸和溶剂！此外还有汽油、颜料稀释剂或燃油等。极度易燃、易爆且有毒的喷雾。不使用丙酮、未经稀释的酸和溶剂，因为它们会侵蚀设备上使用的材料。

- 禁止在有爆炸危险的区域内运行本设备。
- 如在危险区域内（如加油站）使用吸尘器，则应注意相应的安全规范。

△ 窒息危险

- 让儿童远离包装薄膜，否则会有窒息危险！
- △ 存在受伤危险
 - 每次使用前检查重要部件，如高压软管、手持喷枪和安全装置是否是否有损。立即更换受损部件。不得使用带受损部件的设备。
 - 高压水柱不可对准自己或他人喷射以清洗衣服或鞋袜。
 - 不要喷射含危害健康物质（如石棉）的物品。
 - 汽车轮胎 / 轮胎阀门可能被高压水柱冲坏并爆裂。对此损坏的首要征兆就是轮胎变色。受损的汽车轮胎 / 轮胎阀门可能带来生命危险。清洗时至少与水柱保持 30 cm 距离！

安全装置

△ 注意

安全装置用于保护使用者，不得更改或不让其发挥功能。

设备开关

设备开关是为了防止设备误启动。

安全制动装置

水枪枪柄上的安全制动装置可防止设备被误启动。

带压力开关的溢流阀

溢流阀阻碍压力超过允许的工作压力。当松开手持喷枪的控制杆，压力开关关闭泵，高压喷射停止。拉上该杆，泵又被开启。

稳定性

⚠ 注意

用设备或在设备上进行任何作业前要先确保设备的稳定性，以避免因设备翻倒而导致的事故或故障发生。

操作者应将设备放在平坦地面上。

选择安全可靠的站立位置并采用安全的身体姿势，以免因水柱喷枪的反冲力失去重量平衡。

操作说明

设备说明

图片参见第 2 页

- 1 管接头
- 2 带滤网的水接口
- 3 高压接口
- 4 带有过滤器的清洁剂抽吸软管
- 5 手柄
- 6 VELCRO® 拉锁
- 7 电源线
- 8 产品开关 “0/OFF” / “I/ON”
- 9 手持喷枪
- 10 喷枪枪柄上的安全装置
- 11 高压软管夹
- 12 高压软管
- 13 加长喷射管
- 14 带压力调节装置的可调角的喷射管 (Vario Power)

特殊附属配件

特殊附属配件的使用可延长设备的使用寿命。详细事项请联系凯驰公司或当地经销商。

推荐特殊附件

- 高压喷枪杆
- 管道清洁套件
- 带洗涤剂容器的泡沫喷头

提示：特殊附件只可安装在加长喷射管上。

设备运作前

使用设备前，请按图示将部件组装好。图片参见第 2 页

图 A

→ 将高压软管夹从喷枪上拔出（例：可使用小型螺丝刀）。

图 B

→ 将高压软管与喷枪连接。卡入管夹直至稳固。拉高压软管以检查是否安全连接。

供水

提示：根据有效的使用说明规定，该设备在没有系统分离器的情况下不能在饮用水网上使用。必须使用一个合适的 KÄRCHER 公司的系统分离器，或者根据 EN 12729 Typ BA 选用系统分离器。流经系统分离器的水被归为不可饮用水。



注意

系统分离器只连接在供水管上，从不要直接连接在机器上。

注意

水中的污物可能损坏高压泵和附件。为此建议使用 KÄRCHER 水过滤器（特殊附件，订货号 4.730-059）进行保护。

主要水源

请遵从与供水相关的法规。

关于连接值，请参见铭牌 / 产品参数。

- 使用带标准接头的纤维增强水软管（非标准配置）。（直径最小 1/2 英寸或最小 13 毫米；长度最短为 7.5 米）
- 将耦合单元拧到机器的水接头上。
- 将供水软管接到耦合单元上，然后将它连接到供水系统。

调试设备

注意

干运转（不加润滑油）2 分钟以上会导致高压泵损坏。设备 2 分钟内没有压力形成，关闭设备并按照“故障帮助”一章内的提示进行操作。

- 将耦合单元拧到机器的水接头上。
- 将供水软管接到耦合单元上，然后将它连接到供水系统。
- 将高压软管连接至设备高压软管部位。
- 将喷射管/加长喷射管插入手持喷枪并旋转 90° 以固定。
- 完全打开水龙头。
- 插上电源插头。
- 将设备设定为“I/ON”。

设备运作

提示：清洁空调时注意生产商提示。

△ 危险

通过高压喷嘴喷出的水束而对手持式喷枪产生反冲力。注意保持安全可靠的状态，紧握高压喷枪和喷射管/加长喷射管。

高压喷枪使用不当，会带来危险。不能对准人、动物、电器设备或者设备自身喷射。

- 释放喷枪上的安全装置。
- 握紧扳手启动设备。

注意：松开水枪扳手停止设备。高压残留于系统内。

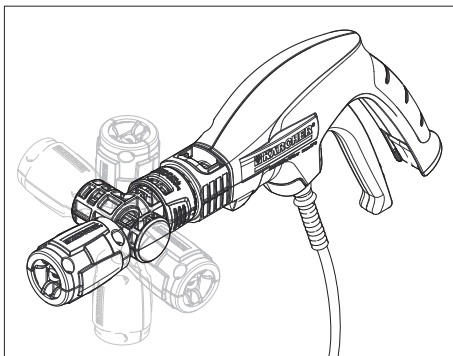
带压力调节装置的可调角喷射管 (Vario Power)

图 D

工作压力可在“Min”（最小）和“Max”（最大）之间无级调节。

喷射管头可以向上和向下各翻转 90° 和转动 360°。

- 松开水枪扳手。
- 将喷射管头旋转到所希望的角度位置。



提示：通过可调的喷射管头能保证简便地进入到难以够到的位置。

提示：适合于使用洗涤剂进行工作。

推荐的清洗方法

- 在干燥的表面上少量喷射清洁剂，让清洁剂在表面发生反应，但不要使之变干。

提示：作用时间 2-5 分钟。

- 使用 Vario Power 喷头预清洁空调设备的敏感翅片。调整压力设定值和 Vario Power 喷枪方向。
- 使用高压喷头预清洁整个设备。
- 擦干空调或如有必要，使用抹布执行擦干操作。

压力设置

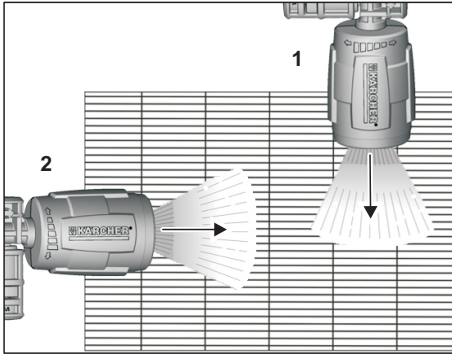
注意

谨慎细心地处理，对保持敏感翅片的功能而言至关重要。

压力调整取决于个人预估和清洁方向。

- 最小——低压 (20 bar)。适用于配备敏感翅片和轻微污渍的小型空调机组。
- 平均压力 (约 50 bar)。适用于配备稳固翅片的中小型空调机组。
- 最大——高压 (100 bar)。适用于表面污渍厚重和配备稳固翅片的空调机组。

提示：高压喷头的清洁方向：



- 1 最小 —— 低压 (20-50 bar)。清洁翅片反方向。
- 2 最小 —— 最大高压 (20-100 bar)。清洁翅片方向。

提示：最佳的洗涤剂只能在供货范围内的附件中确保获得。

使用清洁剂的清洗作业

⚠ 危险

使用错误的洗涤剂或化学试剂会影响设备的安全性。

每次使用本设备清洁时请只使用凯驰公司的清洁剂和护理液，因为它们是专门为您机器器开发研制的。如果使用其它清洁剂和护理液，则会加快磨损，我们也将因此取消质保。相关信息请咨询当地经销商或直接向凯驰公司垂询。

⚠ 危险

错误使用洗涤剂可能会导致重伤或中毒。

使用洗涤剂时，请注意洗涤剂制造商的安全数据表，尤其是有关个人防护装备的提示。

图C

- 自机壳内拉出所需长度的洗涤剂吸取软管。
- 将清洁剂抽吸软管的一头放入盛有清洗剂瓶中。
- 使用调节压力喷头（可变水压）。

图D

- 将旋转喷头设定为“Mix”。

注意：由此，使用时清洗剂溶解物混入喷出的水柱之中。

中断设备操作

- 松开水枪扳手。
- 推上喷枪上的安全装置。
- 如，长时间（5分钟以上）运作中断时，将设备开关设定为“0/OFF”。

结束设备操作

注意

当系统中无可用压力，就要把高压软管从手持喷枪或设备上拆下来。

- 使用清洁剂清洗作业后，将喷枪杆取下，然后将清洁剂抽吸软管悬挂进盛有清水的桶中，打开开关运行约一分钟，至喷枪中有清水流出即可。
- 松开水枪扳手。
- 将设备设定为关闭“0/OFF”。
- 关闭水龙头。
- 按压水枪扳手以除去在设备系统中残留的压力。
- 自供水处分离设备。
- 推上喷枪上的安全装置。
- 取下插头。

图E

- 电源连接导线、高压软管和附件用VELCRO® 拉锁整齐放在设备上。

提示：重新调试运行空调设备前检查空调是否受损。

运输

注意

为了避免事故和伤害，搬运时要注意设备的重量（参见技术参数）。

手动搬运

- 握住手柄拉高并提起设备。

车辆运输

- 确保设备不会滑倒和倾覆。

储存

注意

为了避免事故和伤害，选择存放地点时要考虑到设备的重量（参见技术参数）。

设备储存

长期存放之前，如在冬季特别要注意维护一章的提示。

- 设备置放在平坦地面上。
- 妥善保管电源线、高压软管及其它配件等。

防霜冻

注意

霜冻会损坏未完全清空的清洁剂和附件。完全清空设备和附件，防止霜冻损害。

避免损害：

- 完全排空设备内的水：打开不带高压软管和供水连接装置的设备（最多 1 分钟），等待直至无水从高压连接部位出来时。关闭设备。
- 机器及所有附件应在防霜的室内保管。

保养与维护

△ 危险

电击危险。在进行所有维护和保养工作前关闭吸尘器并拔下电源线。

保养

在长期储存（如冬季）前：

- 取下清洁剂抽吸软管中的滤网并用流动的自来水清洗。
- 用尖嘴钳取下水接头中的滤网并用流动的自来水清洗。

维护

该设备免维护。

备件

请仅使用凯驰公司的原装备件。在本书说明书后附有一份备件总览表。

故障排除

通过下面的简介，您可以纠正小的故障。

如有疑问，请联系凯驰公司授权的客户服务中心。

△ 危险

只允许接受过授权的客户服务人员
进行维修工作和在电气零部件上进行工作。

设备不运作

- 拉动手持喷枪的控制杆，设备接通。
- 检查电源电压必须跟型号标识上给出的电压一致。
- 检查电源线是否损伤。

设备压力不足

- 设备排气：拆开高压软管，打开设备让其运行（最多 2 分钟），直至流出高压接口的水没有气泡产生。关闭设备并重新连接上高压软管。
- 检查供水管输送量是否充足。
- 用尖嘴钳取下水接头中的滤网并用流动的自来水清洗。

巨大的压力变化

- 高压清洗：用针除去喷头孔处的杂物，再用水清洗。
- 检查供水连接系统。

设备漏水

- 在技术方面可能存在高压泵少许漏水的情况。漏水量较大时请联系本公司认可的客户服务中心。

无法吸取清洁剂

- 自喷枪分离喷头。仅用喷枪运作。
- 清洗清洁剂抽吸软管的滤网。
- 检查清洁剂抽吸软管是否扭结。

产品规格 / 参数

电源连接

电压	220-240 V
	50 Hz

输入功率	1,4 kW
------	--------

保护程度	IP X5
------	-------

保护等级	I
------	---

保险丝（慢断型）	10 A
----------	------

水接头

进水压力	0,2-1,2 MPa
------	-------------

进水温度（最高）	40 °C
----------	-------

流量（最小）	8 升 / 分
--------	---------

功率参数

工作压力	7 MPa
------	-------

最大允许压力	10 MPa
--------	--------

水流消耗	5,5 升 / 分
------	-----------

清洁剂剂消耗	0,4 升 / 分
--------	-----------

后挫力	10 N
-----	------

尺寸和重量

长度	374 毫米
----	--------

宽度	201 毫米
----	--------

高度	296 毫米
----	--------

重量	7,9 千克
----	--------

该值遵照 EN 60335-2-79 规定

手臂振动值	<2,5 m/s ²
-------	-----------------------

不安全性 K	0,3 m/s ²
--------	----------------------

声压等级 L _{pA}	68 A 级
----------------------	--------

不安全性 K _{pA}	3 分贝
----------------------	------

A 级
分贝

该值遵照 EN 60335-2-79 规定

声功率电平 L _{WA} + 不安全性 K _{WA}	83 A 级 分贝
--	--------------

规格若有变更，恕不另行通知。

Daftar Isi

Petunjuk Umum	ID	3
Keselamatan	ID	4
Layanan	ID	7
Pengiriman	ID	11
Penyimpanan	ID	11
Pemeliharaan dan perawatan	ID	12
Pemecahan Masalah	ID	12
Data Teknis.	ID	13

Petunjuk Umum

Pelanggan yang terhormat,



Bacalah panduan pengoperasian asli sebelum menggunakan perangkat ini untuk pertama kalinya, lakukan seperti yang tercantum dan jagalah tetap seperti itu untuk penggunaan selanjutnya atau kepada pemilik berikutnya.

Pengiriman Perangkat

Semua perangkat yang terkirim ditunjukkan dalam kemasan. Periksa kelengkapan perangkat dengan membuka kemasan.

Jika terdapat kesalahan pengiriman perangkat atau kerusakan selama pengiriman, harap hubungi toko penjualan Anda.

Penggunaan yang Benar

Gunakan pembersih bertekanan tinggi ini hanya untuk keperluan rumah tangga pribadi.

- untuk membersihkan unit eksternal perangkat AC.
- untuk membersihkan mesin, kendaraan, bangunan, alat-alat, bagian muka gedung, teras, alat-alat berkebun dll. dengan semprotan air bertekanan tinggi

(Jika dibutuhkan, gunakan bahan pembersih)

- dengan aksesoris, suku cadang dan bahan pembersih yang dibolehkan. Perhatikan petunjuk yang disertakan dengan bahan pembersih.
- untuk membersihkan komponen yang tidak dialiri listrik.

Perlindungan Lingkungan



Kemasan perangkat dapat didaur ulang. Harap buang kemasan tidak ke dalam sampah rumah tangga, melainkan bawa kemasan ini ke tempat pendaurulangan.



Perangkat ini mengandung bahan-bahan berharga yang dapat didaur ulang dan harus ditangani dengan baik. Maka, harap buang perangkat yang lama dengan cara yang benar.



Pekerjaan yang menggunakan bahan pembersih hanya boleh dilakukan pada permukaan kerja yang kedap cairan dan tersedia sambungan ke saluran air kotor. Jangan buang bahan pembersih ke perairan atau tanah.



Penggunaan untuk membersihkan benda yang menyimpan cairan oli mis. membersihkan mesin, bagian bawah bodi, hanya boleh dilakukan jika terdapat pemisahan penyimpanan oli.

Petunjuk bahan-bahan yang terkandung (REACH)

Informasi terbaru tentang bahan-bahan yang terkandung dapat dicari di: www.kaercher.com/REACH

Garansi

Garansi yang kami berikan berlaku di setiap perusahaan penjualan yang resmi di setiap negara. Kami memperbaiki kerusakan perangkat Anda tanpa biaya sama sekali jika masih dalam jangka waktu garansi bila penyebab kerusakan adalah kecacatan perangkat atau kesalahan pembuatan. Dalam kasus garansi, harap hubungi penjual dengan menyertakan nota pembelian atau hubungi pusat pelayanan resmi kami. (Alamat dapat dilihat di belakang)

Keselamatan

Arti simbol

△ Bahaya

Untuk situasi berbahaya yang segera mengancam yang dapat menyebabkan terluka parah atau kematian.

△ Peringatan

Untuk situasi yang mungkin berbahaya yang dapat menyebabkan terluka parah atau kematian.

△ Hati-hati

Untuk situasi yang mungkin berbahaya yang dapat menyebabkan terluka ringan atau kerusakan perangkat.

Perhatian

Petunjuk tentang situasi yang mungkin berbahaya yang dapat menyebabkan kerusakan properti.

Simbol dalam perangkat



Tidak mengarahkan semprotan bertekanan tinggi ini kepada manusia, hewan, peralatan elektronik yang sedang aktif dan kepada perangkat itu sendiri. Lindungi perangkat dari kondisi beku.

Alat pelindung diri

Harap gunakan pakaian dan kaca mata pelindung untuk melindungi dari semprotan balik dari air dan kotoran.

Penanganan yang aman

△ Peringatan

- *Perangkat ini tidak boleh digunakan oleh anak kecil atau seseorang yang tidak diperbolehkan dalam petunjuk penggunaan.*
- *Perangkat ini dapat digunakan oleh orang yang memiliki keterbatasan kemampuan fisik, panca indera, maupun mental atau memiliki pengalaman maupun pengetahuan yang kurang memadai, asalkan diawasi atau diberitahukan tentang cara penggunaan yang aman serta memahami bahaya yang dapat diakibatkannya.*
- *Anak-anak dilarang bermain dengan alat*

- *Pastikan anak-anak diawasi sehingga tidak bermain-main dengan perangkat ini.*
- *Harap gunakan perangkat ini dengan benar. Harap pertimbangkan juga kondisi wilayah lokal Anda dan kondisi orang di lapangan yang menggunakan perangkat ini.*
- *Selang bertekanan tinggi, katup dan konektor penting bagi keamanan perangkat. Gunakan selang bertekanan tinggi, katup dan konektor hanya yang direkomendasikan oleh pabrik pembuat.*
- *Jangan menggunakan perangkat ini jika terdapat seseorang dalam jangkauan semprotan, kecuali ia memakai pakaian pelindung.*

△ *Hati-hati*

- *Jika tidak dioperasikan dalam jangka waktu yang lama, harap matikan sakelar atau cabut steker.*
- *Untuk penggunaan pada permukaan atau area yang sensitif seperti bantalan, gasket, atau komponen elektrik, kurangi tekanan pada nosel atau jaga jarak minimal 30 cm.*
- *Perangkat harus selalu diawasi ketika dioperasikan.*
- *Jangan gunakan perangkat pada temperatur di bawah 0 °C.*

Komponen listrik

△ *Bahaya sengatan listrik*

- *Jangan pernah menyentuh steker dan stopkontak dalam kondisi tangan basah.*
- *Periksa bila ada kerusakan di kabel steker dan steker sebelum digunakan. Kabel steker yang rusak dapat segera ditukarkan di pusat pelayanan yang resmi/teknisi yang berkompeten. Jangan operasikan perangkat dengan kabel steker yang rusak.*
- *Seluruh bagian kabel listrik dan lingkungan di sekitar pengoperasian harus terlindungi dari air.*
- *Perhatikan bahwa kabel steker atau kabel tambahan tidak boleh terlalu pendek, tertindih, tertarik, atau lecet dan rusak. Kabel harus terlindungi dari panas, minyak, dan sisi ujung yang tajam.*
- *Steker dan konektor kabel ekstensi harus terlindung dari air dan tidak boleh dimasukkan ke dalam air. Selain itu, konektor kabel tidak boleh diletakkan di lantai. Sebaiknya gunakan gulungan kabel untuk memastikan stopkontak berjarak 60 mm dari permukaan lantai.*
- *Perangkat ini dikembangkan untuk penggunaan sebagai*

alat pembersih yang dibuat dan disarankan oleh pabrik pembuatnya. Penggunaan alat pembersih atau bahan kimia yang lain dapat merusak perangkat.

△ **Peringatan kerusakan akibat listrik**

- Kabel ekstensi listrik yang tidak cocok dapat berbahaya. Gunakan hanya kabel ekstensi listrik yang disetujui untuk luar ruangan dan bertanda sesuai dengan penampang lintang yang cukup: 1 - 10 m: 1,5 mm²; 10 - 30 m: 2,5 mm²;
- Kabel tambahan harus diuraikan dari gulungan kabel sampai tuntas.
- Perangkat hanya boleh tersambung dengan sambungan yang sesuai dari penyedia listrik yaitu IEC 60364.
- Perangkat ini hanya boleh menggunakan listrik pengganti yang sesuai. Tegangan listrik harus sama dengan yang tercantum di perangkat.
- Demi alasan keamanan, sebaiknya perangkat Anda menggunakan sekering (maks. 30 mA) dalam pengoperasiannya.

Bahaya lainnya

△ **Bahaya ledakan**

- Jangan menyemprotkan ke cairan yang mudah terbakar.

- Jangan pernah menyedot bahan-bahan seperti cairan pelarut atau asam murni dan pelarut. Termasuk mis. bensin, tiner cat, atau minyak. Kabut semprotan sangat mudah terbakar, meledak, dan beracun. Tidak boleh menggunakan, aseton, asam murni, dan pelarut karena bahan-bahan tersebut merusak perangkat.
- Dilarang mengoperasikan perangkat di tempat-tempat yang mudah menimbulkan ledakan.
- Ketika menggunakan perangkat di daerah berbahaya (mis. SPBU), harap memperhatikan peraturan keamanan yang tercantum.

△ **Bahaya sesak napas**

- Jauhkan kemasan foil dari jangkauan anak-anak karena dapat mengakibatkan sesak napas!

△ **Bahaya cedera**

- Periksa apakah ada kerusakan pada komponen penting seperti selang bertekanan tinggi, pistol penyemprot, dan perangkat pengaman sebelum memulai pengoperasian. Ganti segera komponen yang rusak. Jangan operasikan perangkat dengan komponen yang rusak.
- Jangan mengarahkan semprotan bertekanan tinggi ke perangkat itu sendiri atau ke yang lainnya untuk

membersihkan pakaian dan sepatu.

- *Jangan menyemprotkan ke benda yang mengandung bahan-bahan berbahaya (mis. asbestos).*
- *Ban kendaraan/katup dapat rusak dan pecah oleh semprotan bertekanan tinggi. Tanda pertama adalah pudarnya warna ban. Ban/katup kendaraan yang rusak membahayakan hidup Anda. Minimal berjarak 30 cm dari semprotan ketika membersihkan!*

Sistem keselamatan

△ **Hati-hati**

Pemasangan yang aman memberikan perlindungan kepada pengguna dan tidak boleh diubah atau diabaikan.

Sakelar perangkat

Sakelar perangkat mencegah dari pengoperasian perangkat secara tidak sengaja.

Kunci pistol penyemprot

Kunci menutup tuas pistol penyemprot dan mencegah penggunaan perangkat yang kurang hati-hati.

Katup dengan pengendali tekanan

Katup mencegah tekanan selama pengoperasian yang melebihi batas yang diperbolehkan.

Jika tuas pada pistol penyemprot dilepaskan, maka pengendali tekanan akan menutup aliran, dan semprotan akan berhenti. Jika tuas ditarik, maka aliran akan terbuka kembali.

Kestabilan

△ **Hati-hati**

Sebelum melakukan pekerjaan dengan atau di dekat perangkat, pastikan kestabilan perangkat agar terhindar dari kecelakaan atau kerusakan karena perangkat terjatuh.

Stabilitas perangkat dapat dijamin bila diletakkan di atas permukaan yang rata.

Pastikan kaki berpijak dengan kokoh dan sesuaikan postur tubuh yang aman agar tidak kehilangan keseimbangan akibat sentakan balik dari pistol penyemprot.

Layanan

Penjelasan tentang perangkat

Gambar lihat halaman 2

- 1 Bagian konektor untuk sambungan air
- 2 Sambungan air dengan saringan
- 3 Sambungan perangkat
- 4 Selang penyedot untuk cairan pembersih (dengan penyaring)
- 5 Gagang penahan
- 6 Tali strap VELCRO®
- 7 Kabel steker dengan steker
- 8 Sakelar perangkat „0/OFF“ / „I/ON“
- 9 Pistol penyemprot
- 10 kunci pistol penyemprot
- 11 Klip untuk selang bertekanan tinggi
- 12 Selang bertekanan tinggi
- 13 Ekstensi pipa penyemprot
- 14 Pipa penyemprot dengan sudut yang dapat disetel dan pengatur tekanan (Vario Power)

Aksesoris khusus

Aksesoris khusus memperluas kegunaan perangkat Anda. Informasi

selengkapnya dapat Anda temukan di toko penjual produk KÄRCHER.

Aksesori khusus yang disarankan:


- Selang dengan pipa penyemprot bertekanan tinggi
- Perlengkapan pembersihan pipa
- Nosel busa dengan wadah bahan pembersih

Catatan: Aksesori khusus hanya dapat dipasang pada ekstensi pipa penyemprot.


Sebelum Pengoperasian

Sebagian besar bagian perangkat dikumpulkan sebelum dirakit.

Gambar lihat halaman 2

Gambar 

- Klip untuk selang bertekanan tinggi ditarik dari pistol penyemprot (mis. dengan menggunakan obeng kecil).

Gambar 

- Pasang selang bertekanan tinggi di pistol penyemprot. Klip ditekan sampai klik. Periksa sambungan telah aman terpasang pada selang bertekanan tinggi.

Pasokan air

Catatan: Menurut peraturan yang berlaku saat ini, perangkat tidak boleh dioperasikan tanpa menggunakan sistem pemisahan pada jaringan air minum. Gunakan sistem pemisahan yang sesuai dengan KÄRCHER atau sistem pemisahan lainnya yang sesuai dengan EN 12729 jenis BA. Air yang mengalir melalui sistem pemisahan adalah air yang tidak boleh diminum.

Perhatian

Selalu gunakan sistem pemisahan pada pasokan air.



Jangan sambungkan perangkat secara langsung.

Perhatian

Tidak murninya kondisi air dapat merusak pompa bertekanan tinggi dan aksesori lainnya.

Untuk perlindungan, sebaiknya gunakan penyaring air dari KÄRCHER (aksesoris khusus, nomor pemesanan 4.730-059).

Pasokan air dari pipa air

Perhatikan peraturan dari perusahaan pemasok air.

Sambungan yang disyaratkan dapat dilihat di plakat/data teknis.

- Gunakan selang air yang kuat (tidak disertakan dalam paket pengiriman) dengan konektor yang banyak dijual. (Diameter minimal 1/2 yang biasa atau 13 mm; panjang minimal 7,5 m).
- Sambungkan bagian konektor dengan sambungan air perangkat.
- Pasang selang air dengan bagian konektor perangkat, dan pasang pemasok air.

Pengoperasian awal

Hati-hati

Pengeringan lebih dari 2 menit dapat merusak pompa bertekanan tinggi. Berdirikan perangkat jika kurang dari 2 menit tanpa tekanan, matikan perangkat dan ikuti prosedur "Pemecahan Masalah".

- Sambungkan bagian konektor dengan sambungan air perangkat.
- Pasang selang air dengan bagian konektor perangkat, dan pasang pemasok air.

- Pasang selang bertekanan tinggi dengan sambungan perangkat bertekanan tinggi.
- Pasang pipa penyemprot/ekstensi pipa penyemprot pada pistol penyemprot dengan sudut 90°.
- Buka keran air.
- Pasang steker di stopkontak.
- Tekan sakelar perangkat „I/ON“.

Pengoperasian

Catatan: Ikuti petunjuk produsen saat membersihkan perangkat AC.

⚠ **Bahaya**

Semprotan air yang keluar dari nosel bertekanan tinggi akan menyebabkan sentakan balik pada pistol penyemprot. Agar aman, pegang pistol penyemprot dan pipa penyemprot/ekstensi pipa penyemprot dengan kuat. Semprotan tekanan tinggi dapat menjadi berbahaya jika tidak digunakan dengan benar.

Jangan mengarahkan semprotan tekanan tinggi ini ke manusia, hewan, peralatan elektronik yang sedang aktif, dan ke perangkat itu sendiri.

- Buka tuas pistol penyemprot.
- Tuas ditarik, perangkat akan menyala.

Petunjuk: Jika tuas dilepaskan kembali, perangkat akan mati. Sistem bertekanan tinggi tetap berlaku.

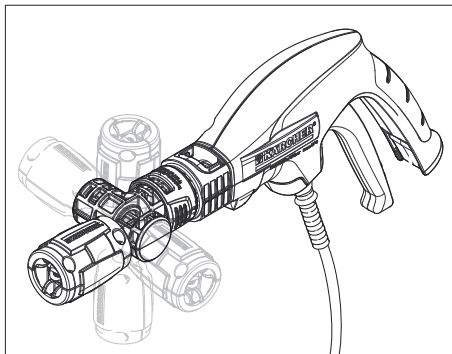
Pipa penyemprot dengan sudut yang dapat disetel dan pengatur tekanan (Vario Power)

Gambar 

Tekanan dapat diatur dalam tahapan antara "Min" und "Maks".

Kepala pipa penyemprot dapat diposisikan 90° ke atas dan ke bawah serta dapat berputar 360°.

- Lepaskan tuas pistol penyemprot.
- Putar kepala pipa penyemprot ke posisi sudut yang diinginkan.



Catatan: Kepala pipa penyemprot yang dapat disetel ini akan memudahkan akses ke tempat yang sulit dijangkau.

Catatan: Cocok digunakan dengan bahan pembersih.

Metode pembersihan yang disarankan

- Semprotkan cairan pembersih pada permukaan yang kering dan rata dan biarkan cairan bereaksi (bukan sampai kering).

Catatan: Waktu efektif 2-5 menit.

- Bersihkan dulu sirip sensitif pada perangkat AC dengan Vario Power Jet. Sesuaikan pengaturan tekanan dan arah pipa penyemprot Vario Power.
- Bersihkan dulu keseluruhan unit dengan semprotan bertekanan tinggi.
- Keringkan perangkat AC atau seka dengan kain jika perlu.

Pengaturan tekanan

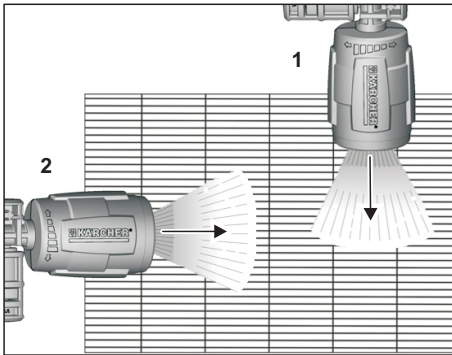
Perhatian

Sirip sensitif pada perangkat AC harus ditangani secara hati-hati untuk menjaga fungsinya.

Penyesuaian tekanan tergantung pada perkiraan pribadi dan arah pembersihan.

- Tekanan min - rendah (20 bar). Untuk perangkat AC dengan sirip sensitif dan kondisi kotor ringan.
- Tekanan sedang (sekitar 50 bar). Untuk perangkat AC berukuran kecil hingga sedang dengan sirip yang lebih kuat.
- Tekanan maks - tinggi (100 bar). Untuk permukaan dengan kondisi kotor berat dan sirip kuat.

Catatan: Arah pembersihan dari semprotan bertekanan tinggi.



- 1 Tekanan min - rendah (20-50 bar). Bersihkan berlawanan arah dengan sirip.
- 2 Tekanan min - maks tinggi (20-100 bar). Bersihkan searah dengan sirip.

Catatan: Gunakan aksesori yang disertakan dalam kemasan untuk memastikan penerapan bahan pembersih yang optimal.

Penggunaan dengan cairan pembersih

⚠ Bahaya

Penggunaan bahan pembersih atau bahan kimia secara salah dapat merusak perangkat. Gunakan setiap melakukan pembersihan hanya dengan cairan pembersihan dari KÄRCHER, cairan pembersihan ini khusus dikembangkan sesuai dengan penggunaan perangkat ini. Penggunaan dari cairan pembersih yang lainnya dapat mempercepat masa pakai dan menghapus garansi yang berlaku. Dapatkan informasi di toko resmi atau langsung melalui KÄRCHER di bagian informasi.

⚠ Bahaya

Penggunaan bahan pembersih secara salah dapat menyebabkan cedera atau keracunan parah. Dalam penggunaan bahan pembersih harus memperhatikan petunjuk keselamatan pembuat bahan pembersih, terutama petunjuk-petunjuk untuk alat pengamanan pribadi.

Gambar

- Tarik selang penyedot untuk cairan pembersihan keluar dari rumah sepanjang yang diinginkan.
- Letakkan selang penyedot untuk cairan pembersih di dalam wadah dengan cairan pembersih.
- Gunakan pipa penyemprot dengan pengatur tekanan (Vario Power).

Gambar 

→ Putar pipa penyemprot pada posisi „Mix“.

Petunjuk: Maka penggunaan cairan pembersih dalam semprotan air akan tercampur.

Penghentian sementara pengoperasian

- Lepaskan tuas pistol penyemprot.
- Kunci tuas pistol penyemprot.
- Jika penghentian cukup lama, (lebih dari 5 menit) segera matikan dengan menekan sakelar „0/OFF“.

Penghentian pengoperasian

Hati-hati

Sebelum melepas selang bertekanan tinggi dari pistol penyemprot atau perangkat, pastikan tidak ada lagi tekanan dalam sistem.

- Pengoperasian dengan alat pembersih: Letakkan selang penyedot di wadah penampungan air yang jernih, nyalakan perangkat selama 1 menit dan pipa penyemprot akan membilas.
- Lepaskan tuas pistol penyemprot.
- Tekan sakelar perangkat „0/OFF“.
- Tutup keran.
- Tekan tuas pistol penyemprot supaya mengurangi tekanan yang masih ada dalam sistem.
- Pisahkan perangkat dari pemasok air.
- Kunci tuas pistol penyemprot.
- Tarik steker.

Gambar 

- Gabungkan kabel steker, selang bertekanan tinggi, dan aksesoris dengan tali strap VELCRO®, lalu simpan beserta perangkat.

Catatan: Periksa apakah terdapat kerusakan sebelum menghidupkan kembali perangkat AC.

Pengiriman

Hati-hati

Perhatikan berat perangkat (lihat data teknis) untuk menghindari kerusakan dan kecelakaan selama dalam perjalanan.

Pengiriman dengan tangan

- Angkat perangkat dengan pegangan dan bawalah.

Perjalanan dalam pesawat terbang

- Lindungi perangkat dari kondisi tergelincir dan kemiringan.

Penyimpanan

Hati-hati

Untuk menghindari kecelakaan atau cedera, perhatikan bobot perangkat (lihat data teknis) saat memilih tempat penyimpanan.

Tempat penyimpanan perangkat

Untuk penyimpanan dalam waktu yang lama, mis selama musim dingin, perhatikan petunjuk di bagian perawatan.

- Perangkat disimpan di atas permukaan yang rata.
- Bongkar kabel steker, selang bertekanan tinggi dan aksesoris dalam perangkat.

Perlindungan beku

Perhatian

Perangkat dan aksesoris yang tidak sepenuhnya dikuras dapat rusak karena embun beku.

Kuras sepenuhnya perangkat dan aksesoris dan lindungi dari embun beku.

Untuk menghindari kerusakan:

- Kosongkan seluruh air dalam perangkat: Nyalakan perangkat tanpa tersambung dengan selang bertekanan tinggi dan pemasok air selama (maks 1 menit) dan tunggu, sampai tidak ada lagi air yang keluar. Matikan perangkat.
- Simpan perangkat dengan aksesoris lengkap di ruangan yang bebas beku.

Pemeliharaan dan perawatan

⚠ Bahaya

Bahaya sengatan listrik. Sebelum melakukan setiap pekerjaan perawatan dan pemeliharaan, perangkat harus dimatikan dan steker harus dicabut.

Perawatan

Untuk penyimpanan dalam jangka waktu lama mis. dalam musim dingin:

- Pindahkan penyaring dari selang penyedot untuk alat pembersih dan dibersihkan dengan air yang mengalir.
- Cabut penyaring dalam sambungan air dengan tang dan dibersihkan dengan air yang mengalir.

Pemeliharaan

Pemeliharaan perangkat ini gratis.

Suku cadang

Gunakan hanya suku cadang yang asli dari KÄRCHER. Tinjauan tentang suku cadang dapat ditemukan di bagian akhir panduan pengoperasian ini.

Pemecahan Masalah

Gangguan kecil dapat ditangani sendiri dengan bantuan tinjauan berikut. Jika Anda ragu, datanglah ke pusat layanan kami yang resmi.

⚠ Bahaya

Pekerjaan perbaikan dan penanganan komponen elektrik hanya boleh dilakukan oleh pusat layanan resmi.

Perangkat tidak berjalan

- Tarik tuas pistol penyemprot, perangkat akan menyala.
- Periksa apakah tegangan yang ada sesuai dengan tegangan yang tercantum dalam perangkat.
- Periksa apakah kabel steker dalam kondisi rusak.

Tekanan tidak keluar dari perangkat

- Biarkan perangkat mendapat sirkulasi udara: Nyalakan perangkat tanpa tersambung dengan selang bertekanan tinggi dan tunggu (maks. 2 menit) hingga air keluar dari selang tanpa gelembung. Matikan perangkat dan pasang kembali selang bertekanan tinggi.
- Pastikan pasokan air memiliki laju aliran yang memadai.

- Cabut penyaring dalam sambungan air dengan tang dan dibersihkan dengan air yang mengalir.

Tekanan tidak stabil (naik-turun)

- Bersihkan mulut bertekanan tinggi: Buang kotoran dari lubang mulut dengan jarum dan kemudian siram dengan air dari arah depan.
- Periksa volume aliran air.

Perangkat bocor

- Kebocoran kecil dalam perangkat adalah hal yang wajar. Jika kebocoran bertambah besar hubungi pusat layanan yang resmi.

Cairan pembersih tidak boleh tersedot

- Pisahkan pipa penyemprot dari pistol penyemprot. Hanya gunakan pistol penyemprot.
- Bersihkan penyaring dalam selang penyedot untuk cairan pembersih.
- Periksa apakah selang penyedot terbelit.

Data Teknis

Sambungan listrik

Tegangan	220-240 V
	50 Hz
Daya sambungan	1,4 kW
Derajat perlindungan	IP X5
Tingkat perlindungan	I
Sekring utama (lambat)	10 A

Sambungan air

Tekanan masuk	0,2-1,2 MPa
Temperatur masuk (maks.)	40 °C
Jumlah masuk (min.)	8 l/min

Data kinerja

Tekanan pengoperasian	7 MPa
Tekanan maks yang diizinkan	10 MPa
Jumlah aliran, air	5,5 l/min
Jumlah aliran, cairan pembersih	0,4 l/min
Kekuatan pantulan balik pistol penyemprot	10 N

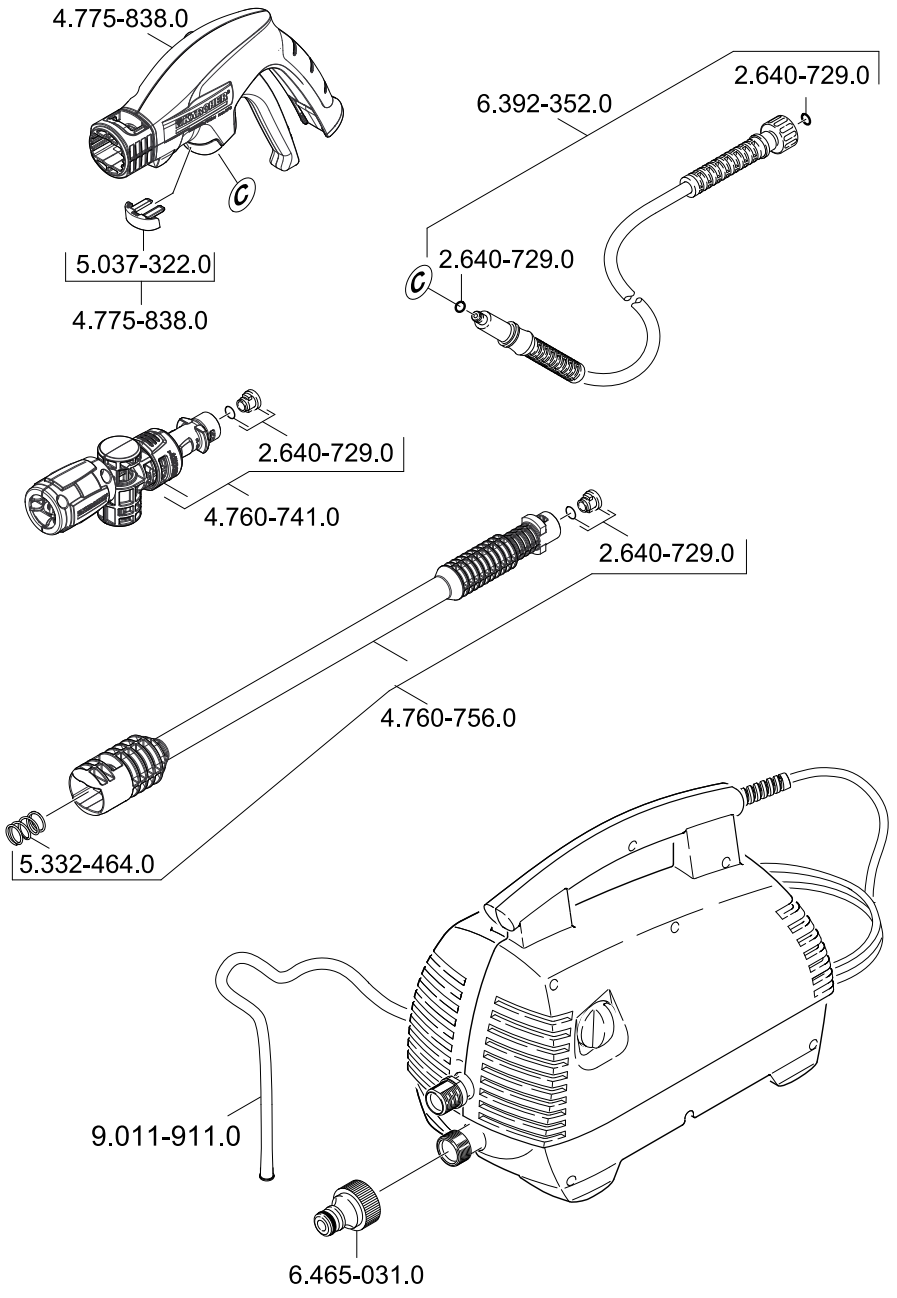
Berat dan Ukuran

Panjang	374 mm
Luas	201 mm
Tinggi	296 mm
Bobot	7,9 kg

Penentuan nilai menurut EN 60335-2-79

Nilai getaran tangan-lengan	<2,5	m/s ²
Ketidakstabilan K	0,3	m/s ²
Tingkat tekanan suara L _{pA}	68	dB(A)
Ketidakstabilan K _{pA}	3	dB(A)
Tingkat kekuatan suara L _{WA} + Ketidakstabilan K _{WA}	83	dB(A)

Perubahan data teknis dilindungi!





<http://www.kaercher.com/dealersearch>



Alfred Kärcher GmbH & Co. KG
Alfred-Kärcher-Str. 28 - 40
71364 Winnenden (Germany)
Tel.: +49 7195 14-0
Fax: +49 7195 14-2212