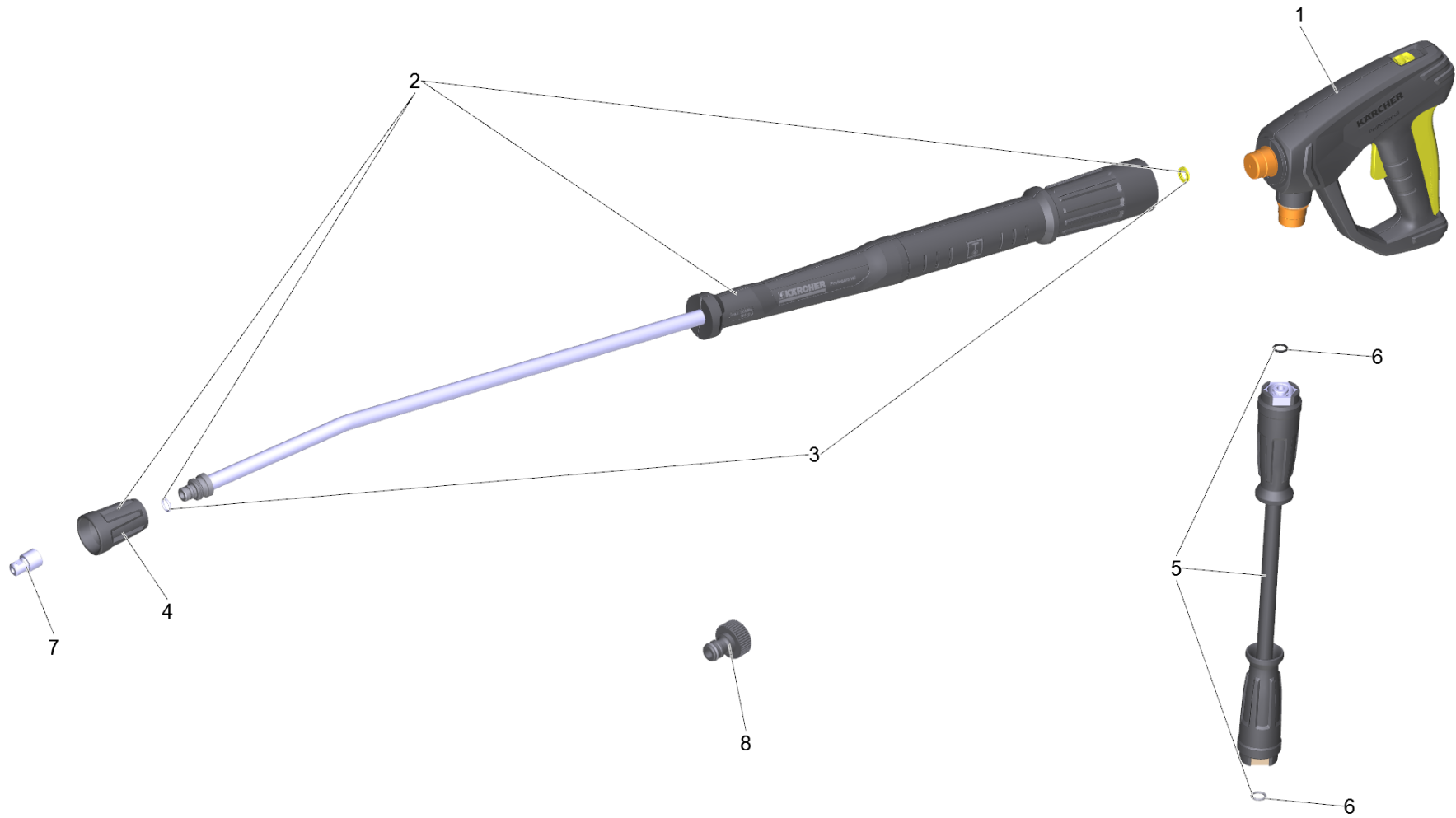


10 Short spare parts list

Professional \ High pressure cleaner cold water \ Electric motor \ HD 6/15 M *EU \ Short spare parts list



10 Short spare parts list

Professional \ High pressure cleaner cold water \ Electric motor \ HD 6/15 M *EU \ Short spare parts list

KÄRCHER

POS	Article no.	Description	Quantity	Unit
1	4.118-005.0	EASY!Force Advanced	1.000	ST
2	4.112-006.0	Jet pipe TR 840 mm	1.000	ST
3	2.880-001.0	Spare part set seals TR	1.000	ST
4	4.112-011.0	Protection part TR only for replacement	1.000	ST
5	6.110-056.0	Hose assembly TR drehbar DN6 30MPa 10m	1.000	ST
6	2.880-154.0	O-Ring kit	1.000	ST
7	2.113-063.0	Power nozzle TR 25033	1.000	ST
8	6.465-031.0	Connection 3/4	1.000	ST